

FIRST[®] LEGO[®] League 2018 Model overview



Coach Pins



Meteoroids +
Meteoroid Ring



Penalties



Astronaut (Gerhard)



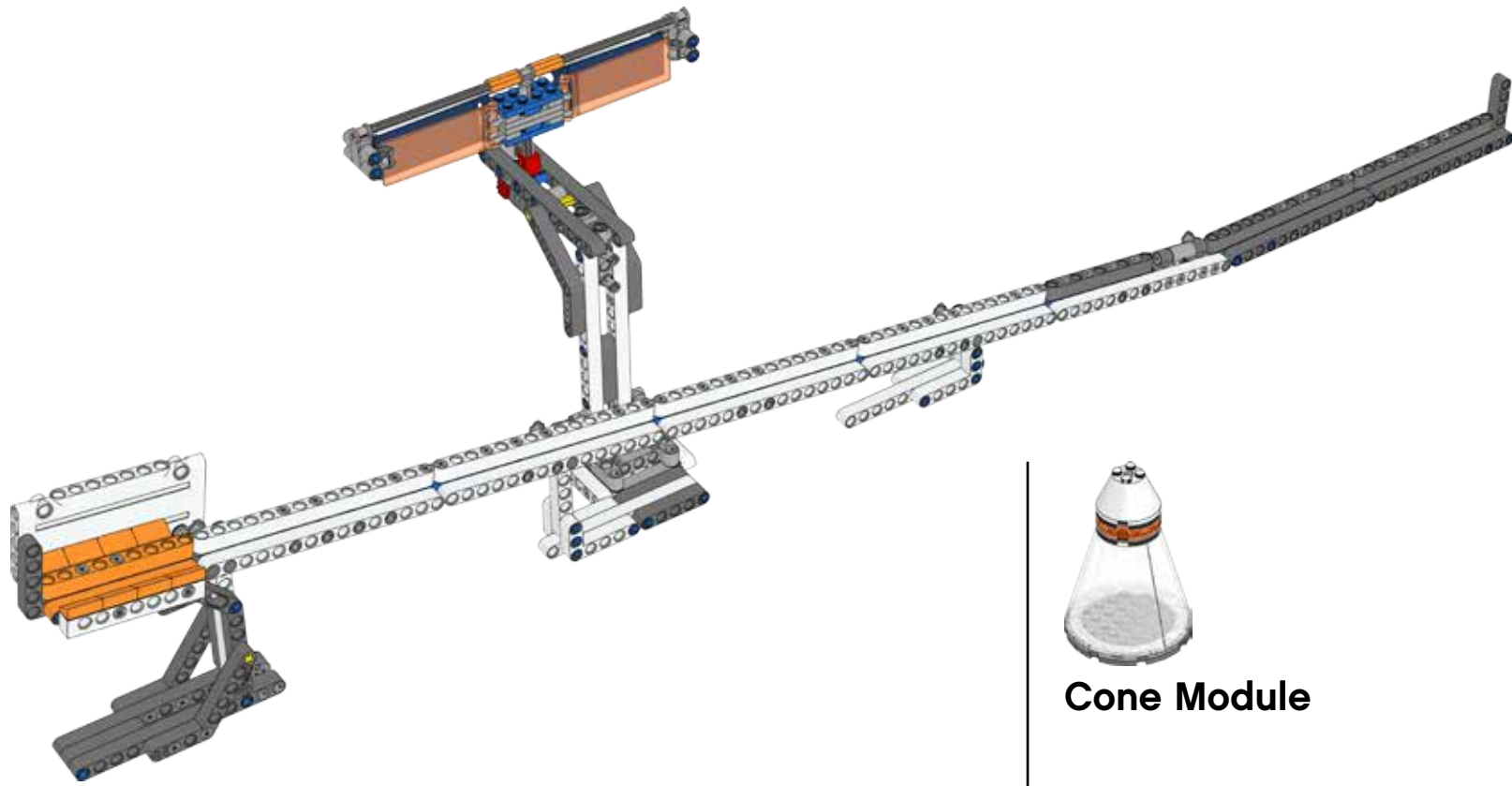
Crew Payload



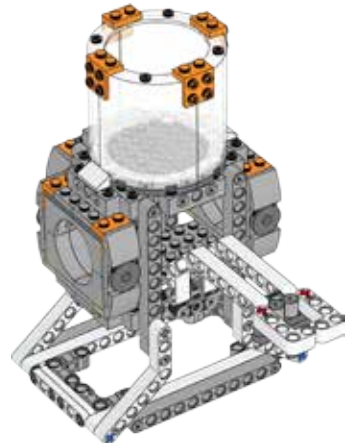
Supply Payload



Vehicle Payload



Space Travel and Solar Panel



Habitation Hub



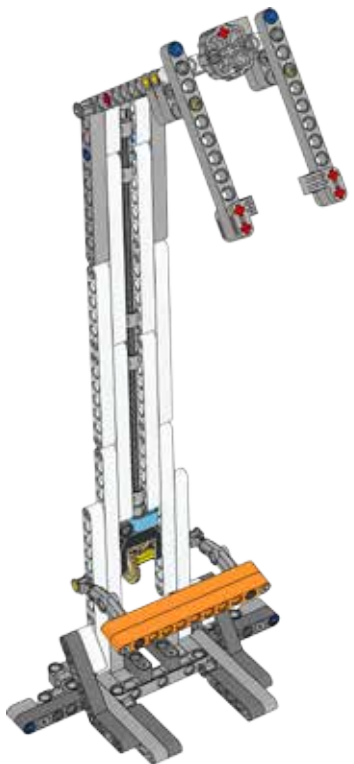
Cone Module



Tube Module



Dock Module



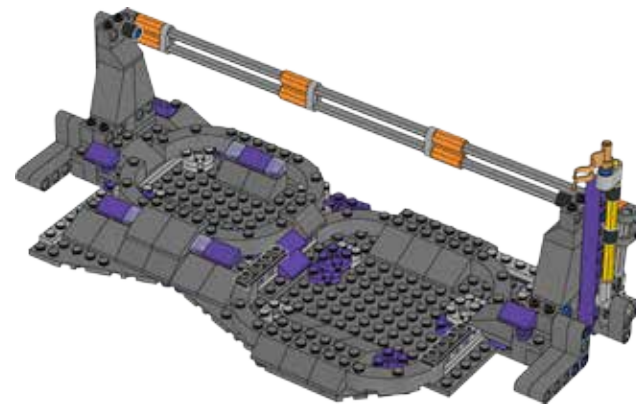
Lander Release



Lander Top



Lander Base



Craters



Core Site



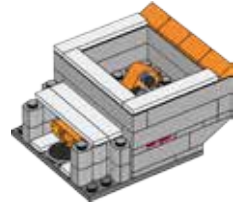
Gas



Liquid



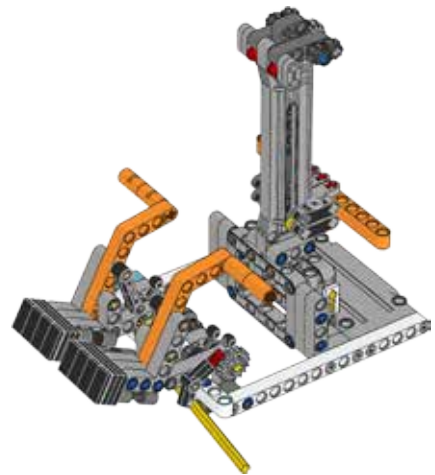
Regolith



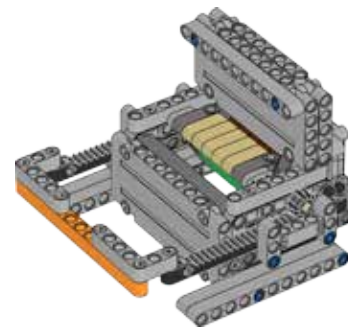
3D Printer



2x4 Brick



Exerciser



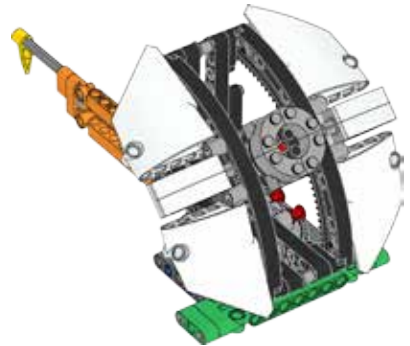
Food Growth Chamber



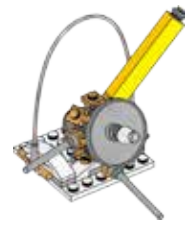
Launch



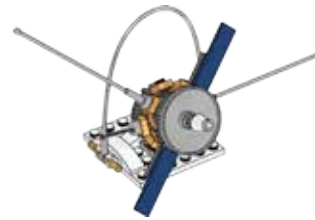
Meteoroid Catcher



Observatory



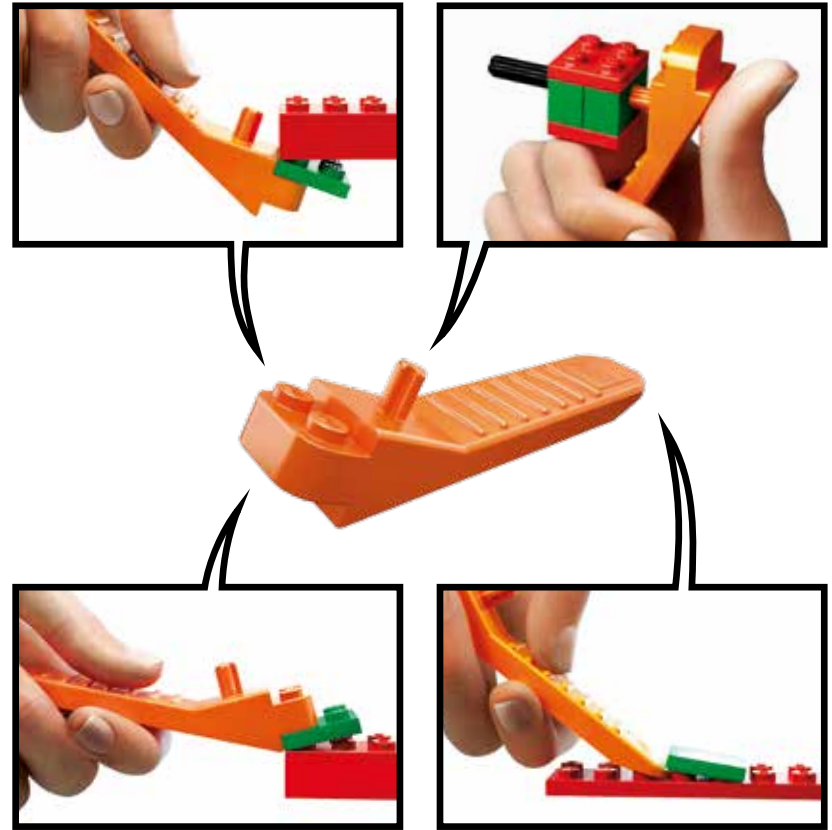
Satellite C



Satellite X



Satellite V



LEGO.com/brickseparator

LEGO and the LEGO logo are trademarks of the/son des marques de commerce du/son marcas registradas de LEGO Group. ©2018 The LEGO Group.

FIRST® is a registered trademark of For Inspiration and Recognition of Science and Technology (FIRST). LEGO® is a registered trademark of the LEGO Group. FIRST® LEGO® League and INTO ORBIT™ are jointly held trademarks of FIRST® and the LEGO Group.

©2018 FIRST® and the LEGO Group. All rights reserved.