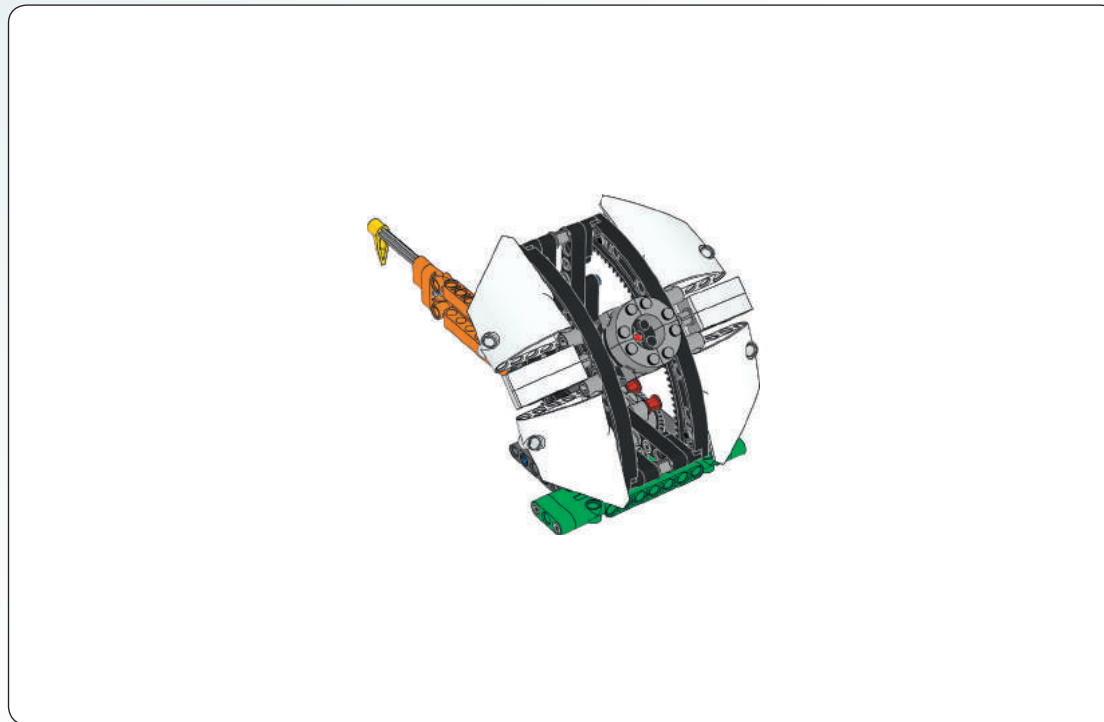


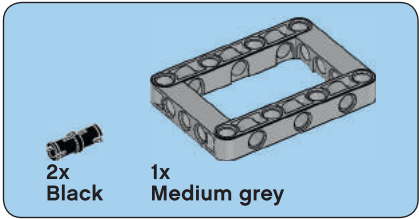
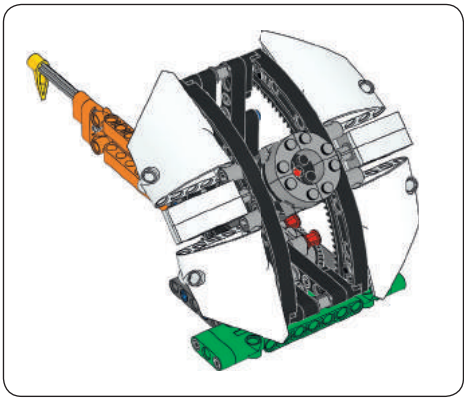
+



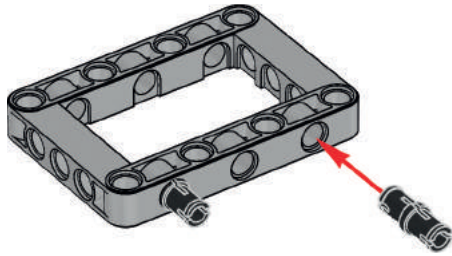
15

1x

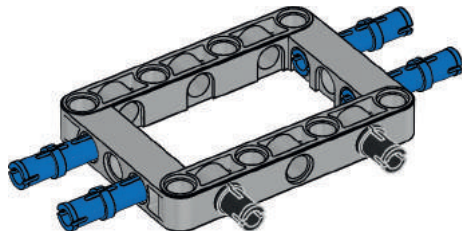


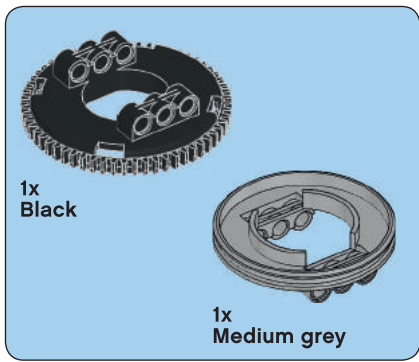


1

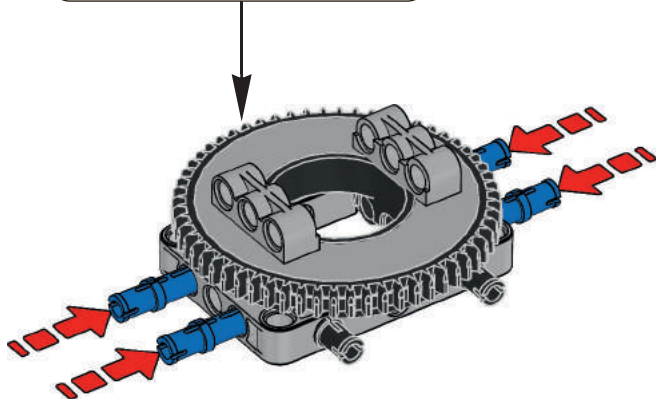
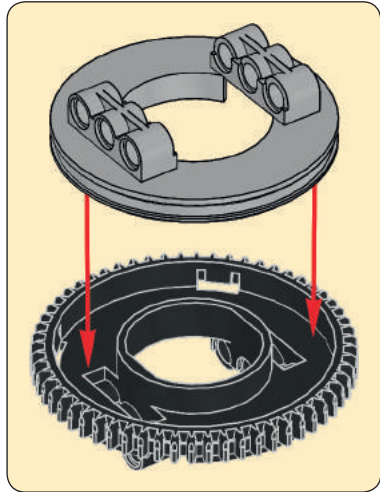


2



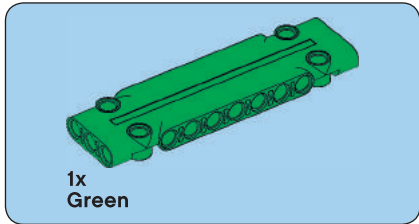
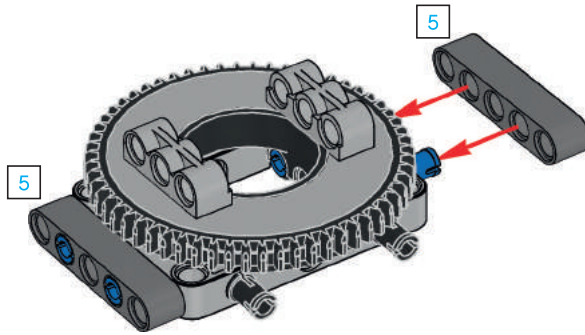


3

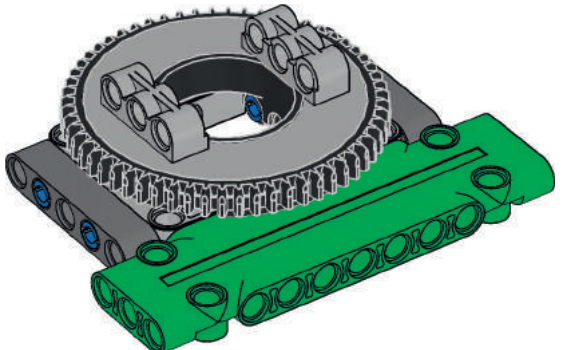




4



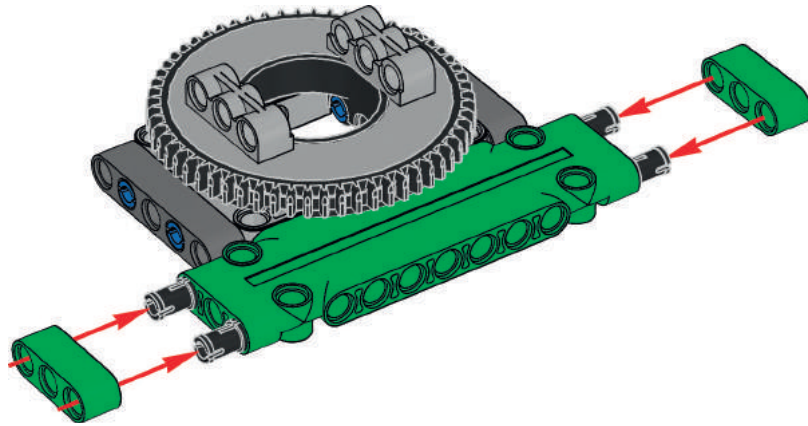
5



4x
Black

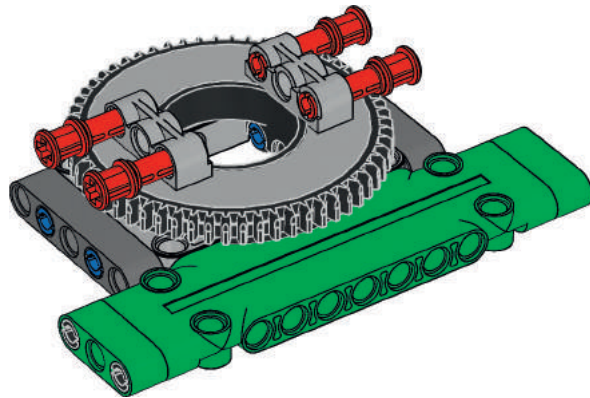
2x
Green

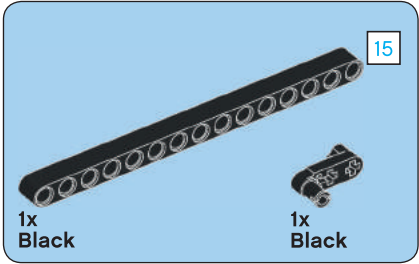
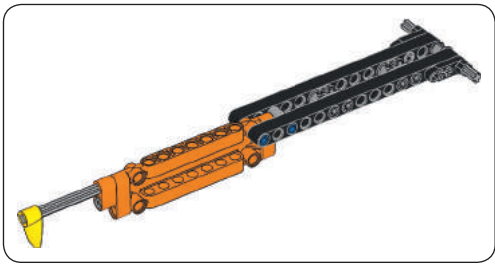
6



4x
Red

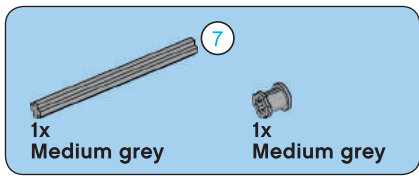
7



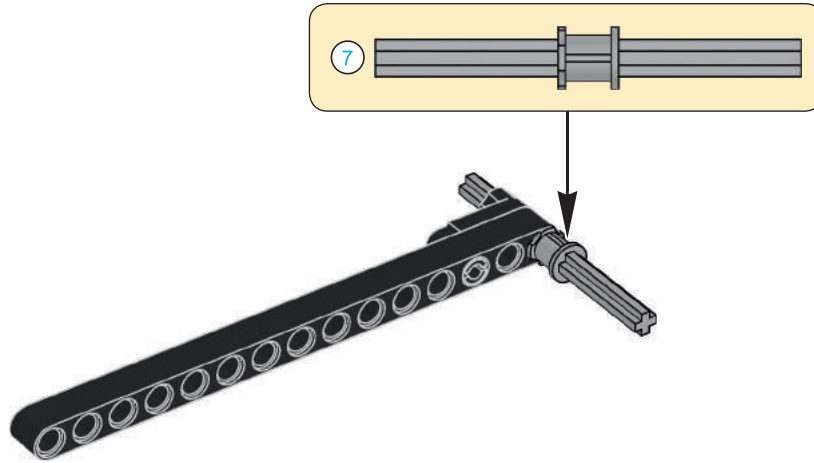


8

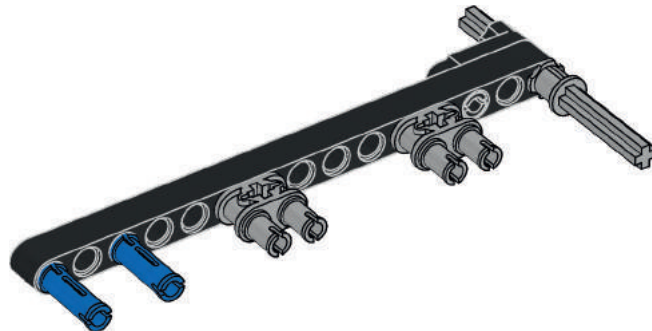


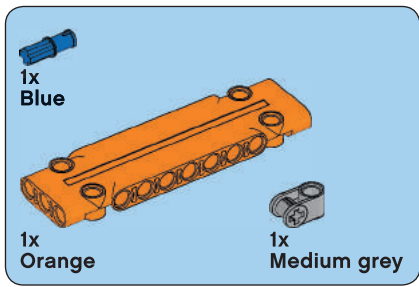


9

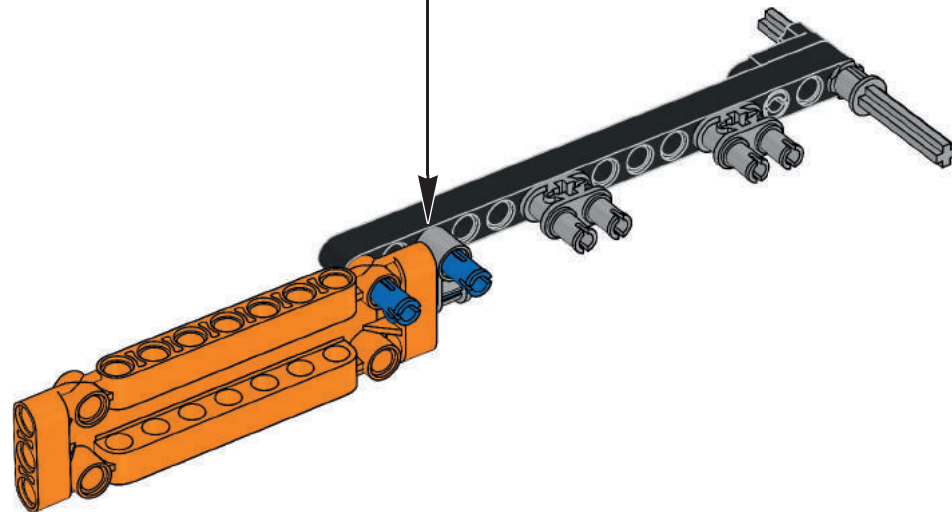
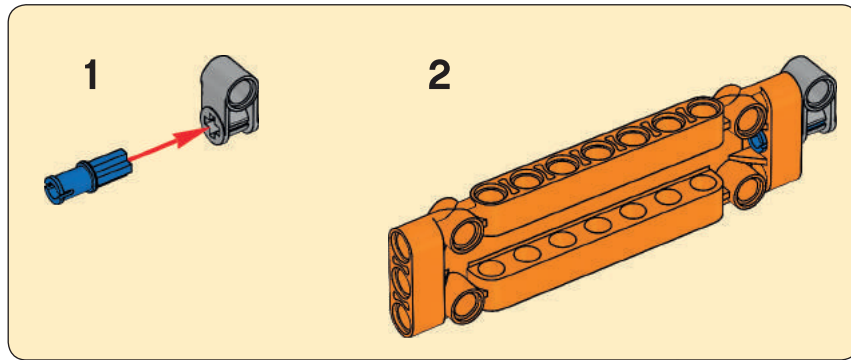


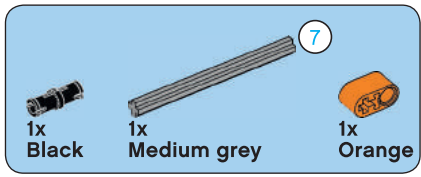
10



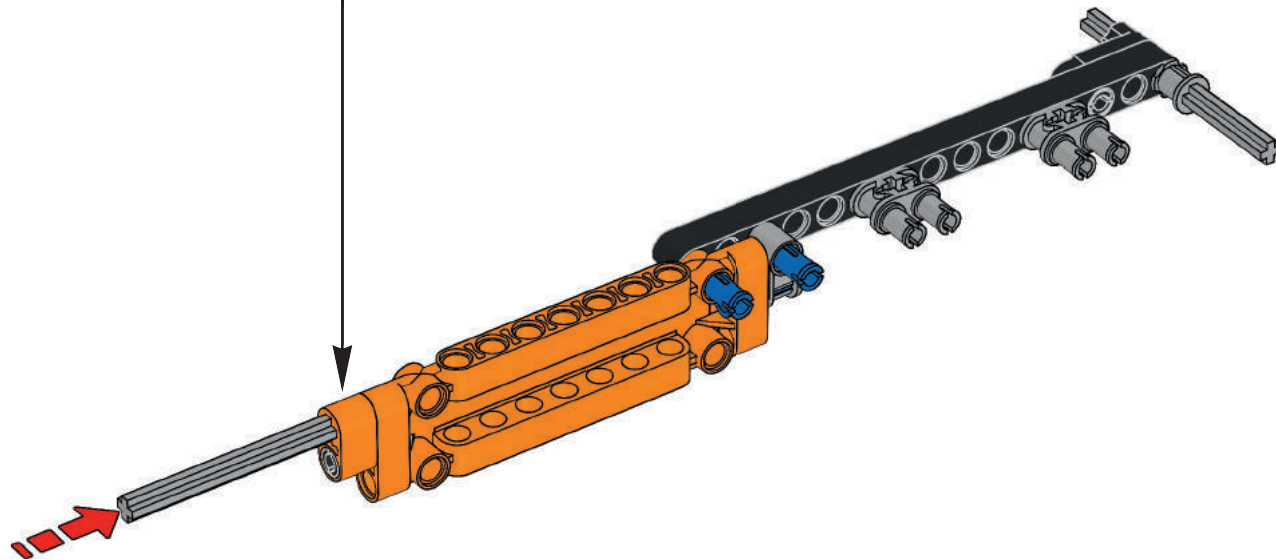
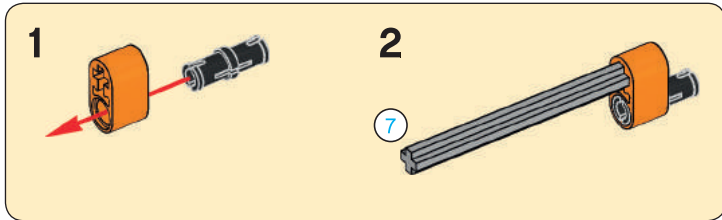


11



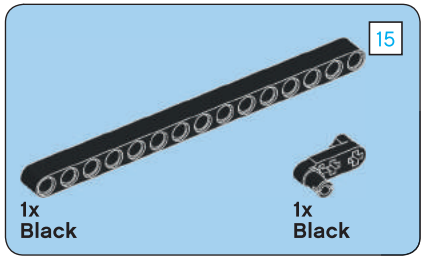
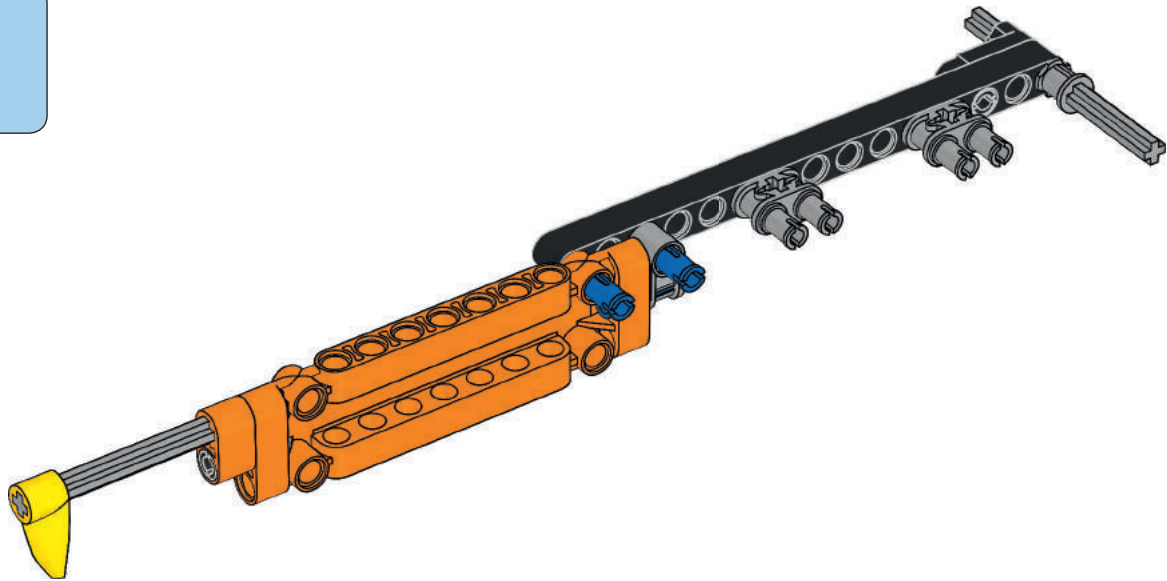


12

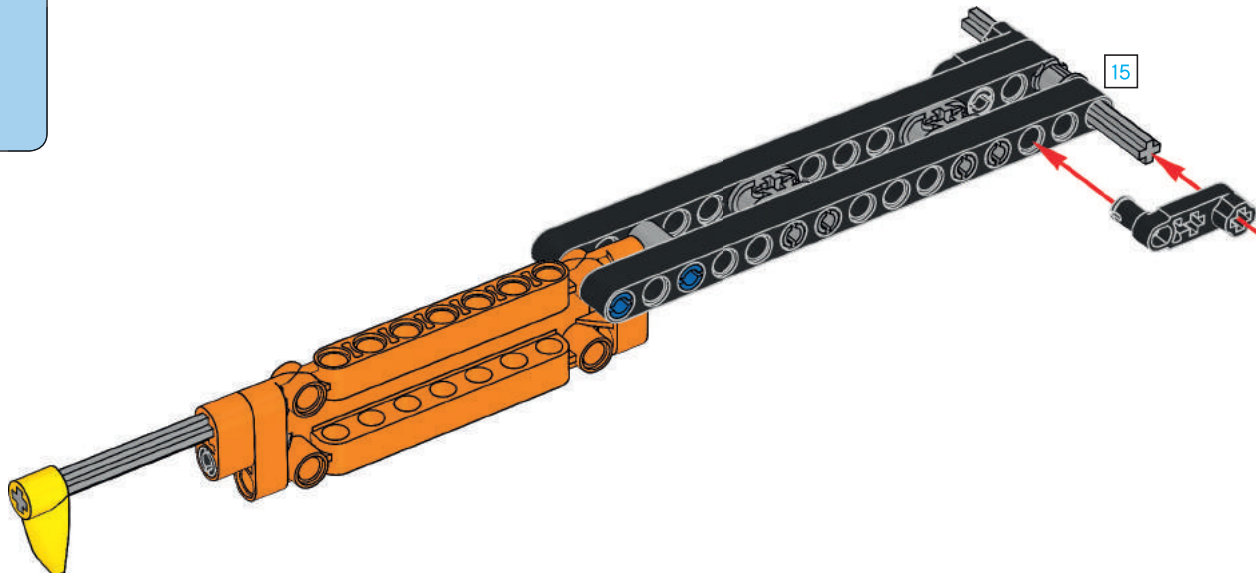




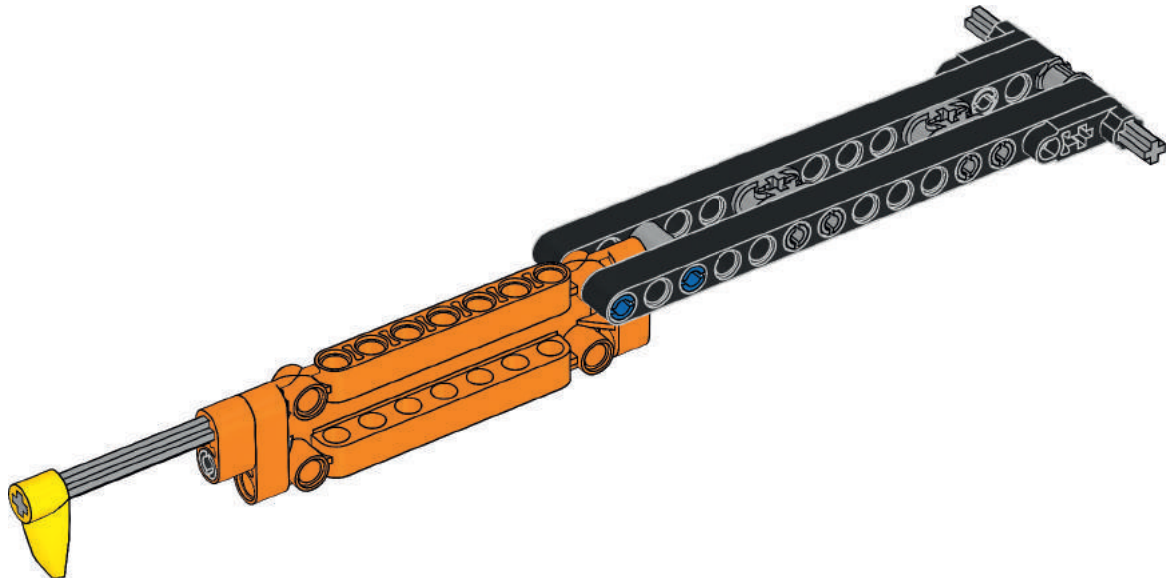
13



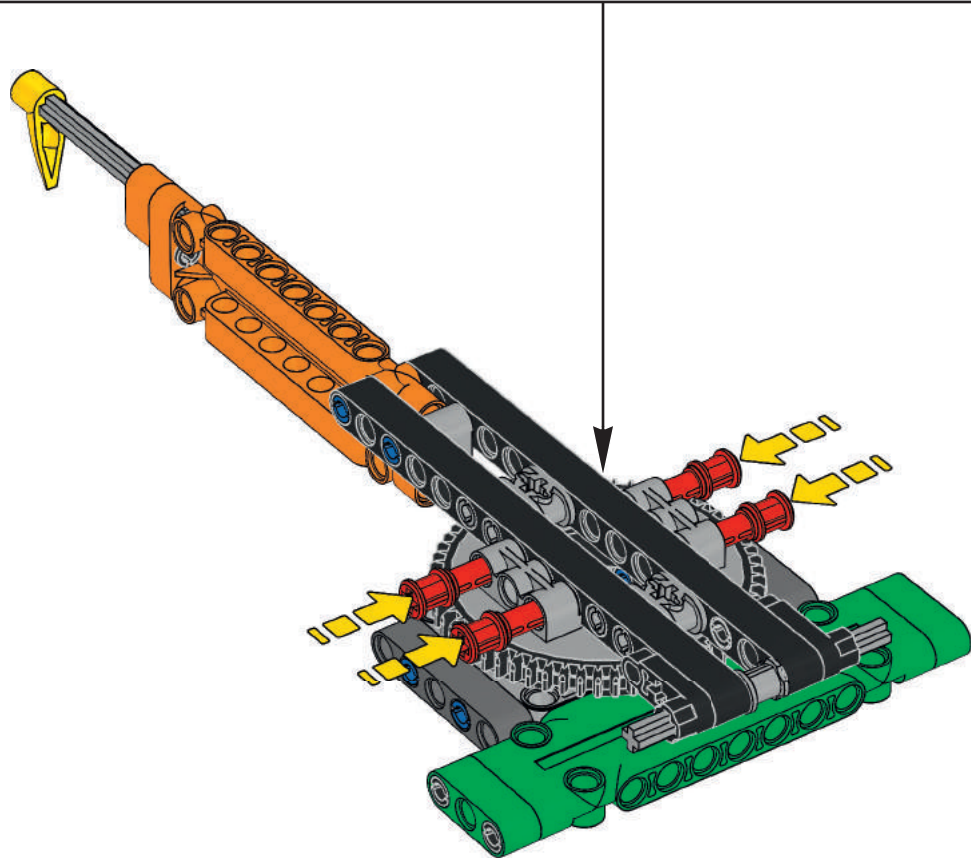
14



15

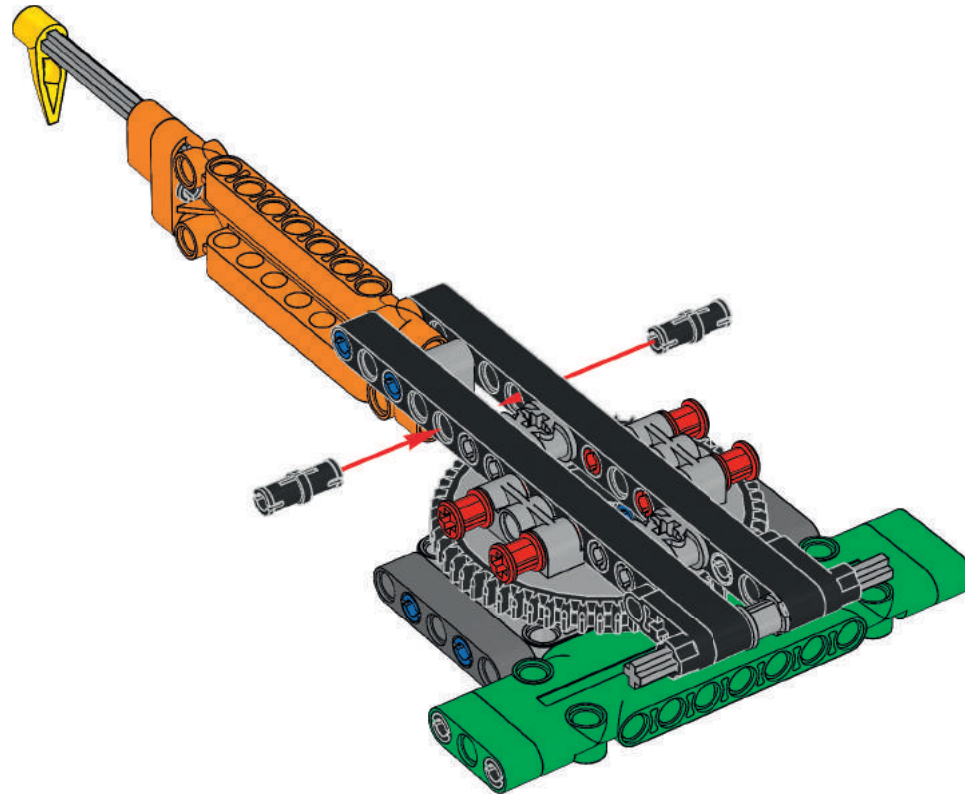


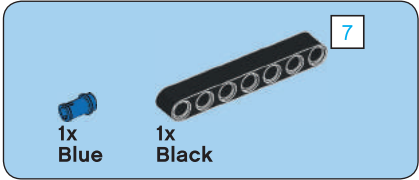
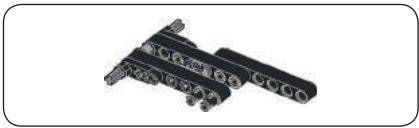
16



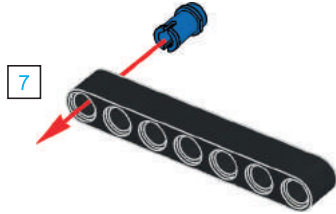
2x
Black

17



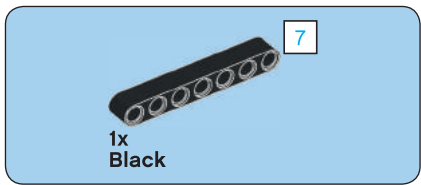


18

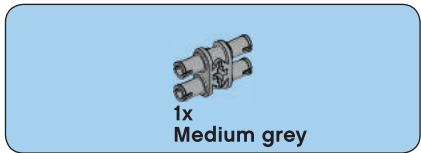


19

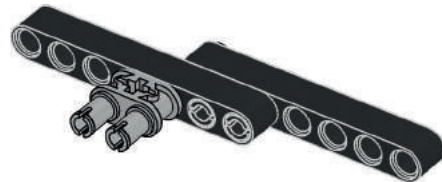


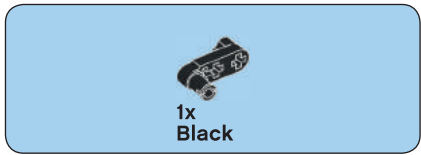


20

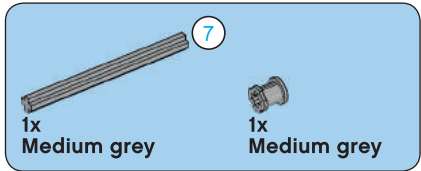
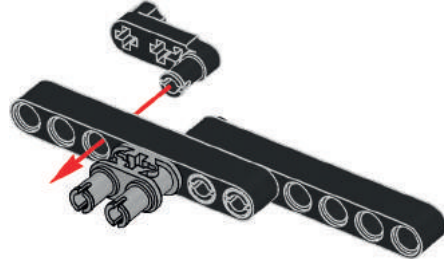


21

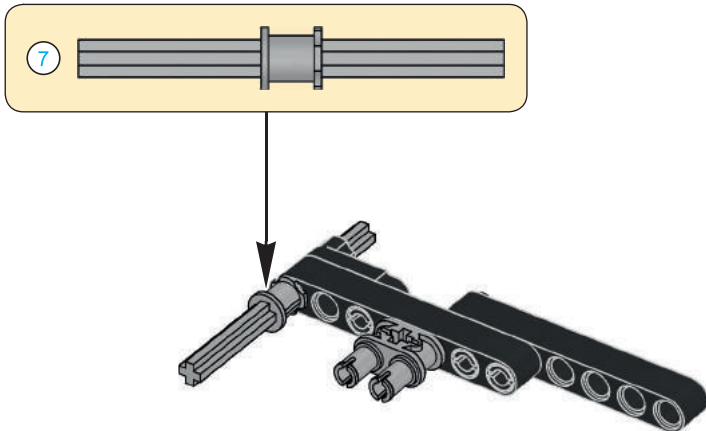


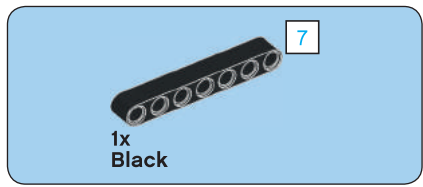


22

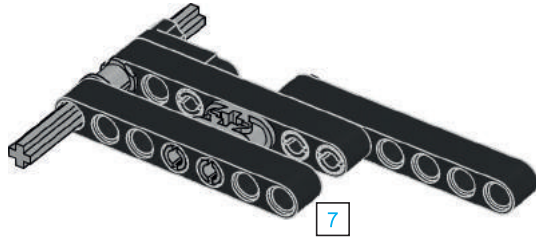


23

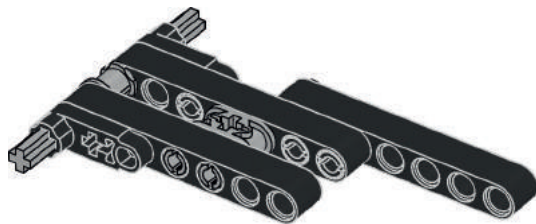


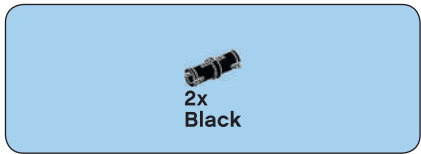


24

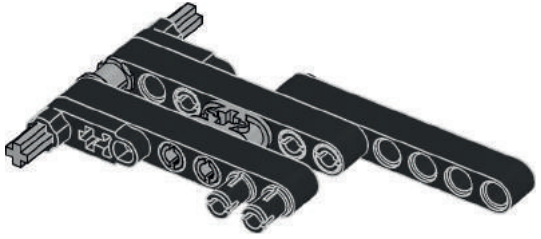


25

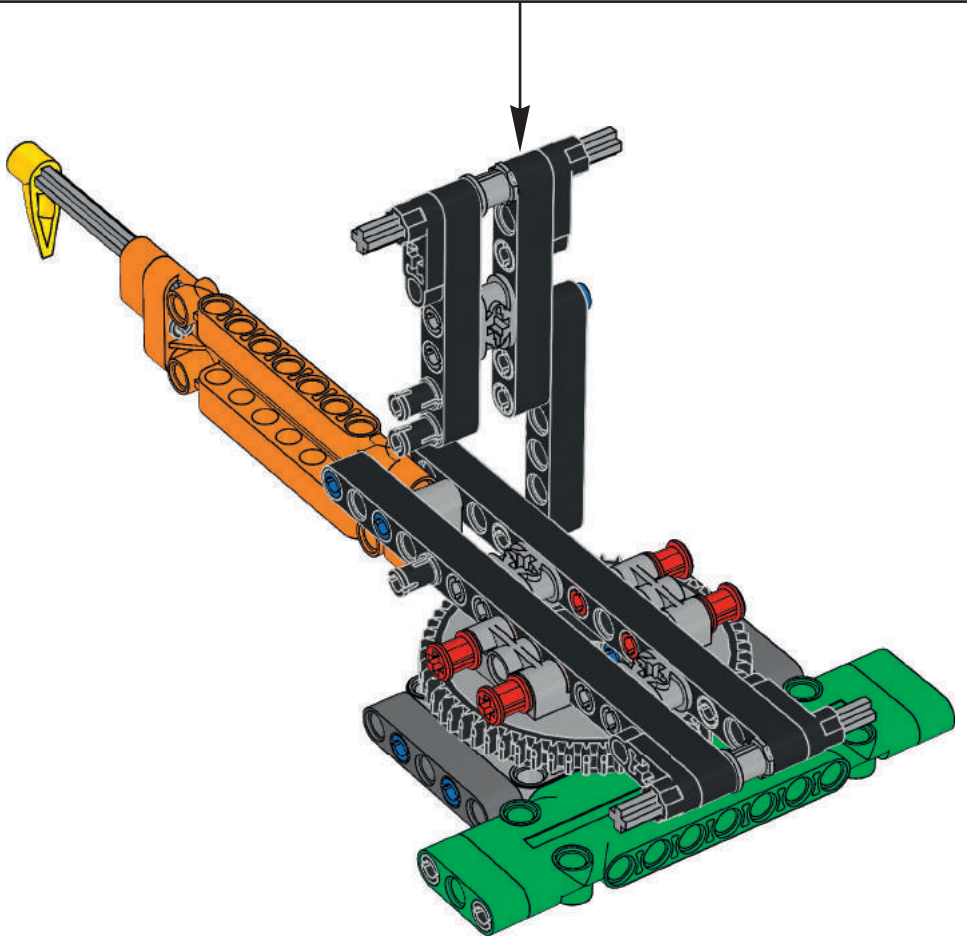


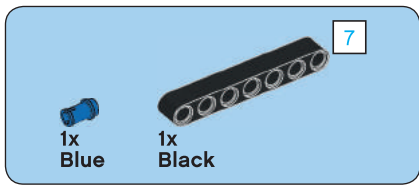


26

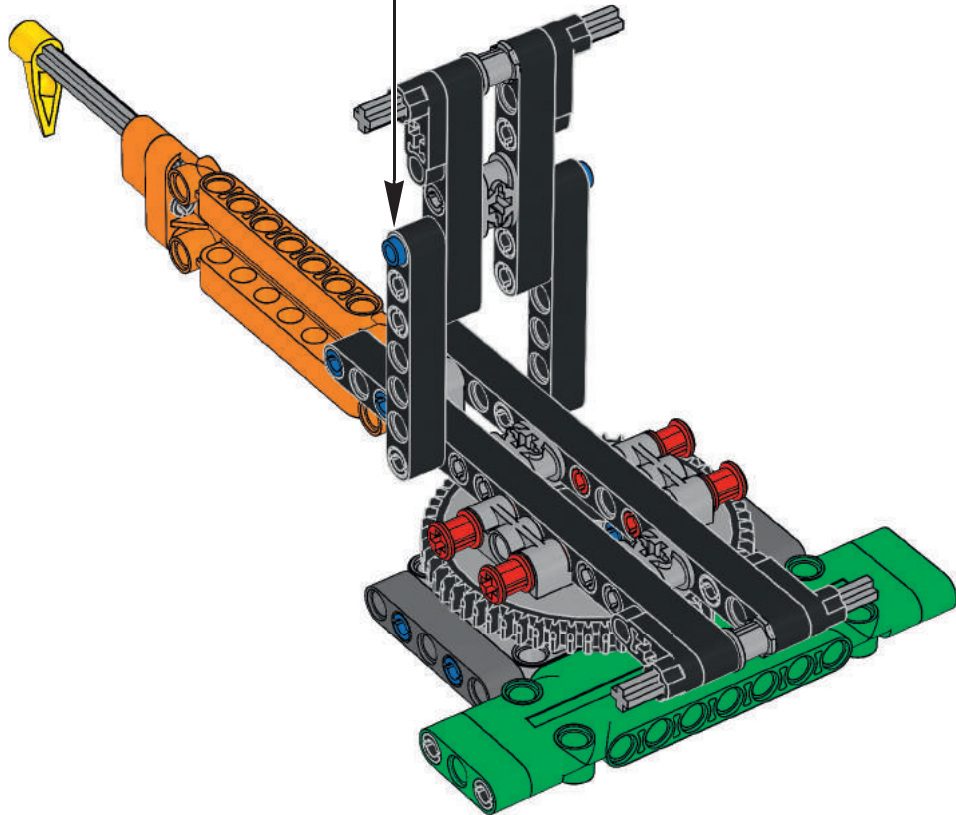
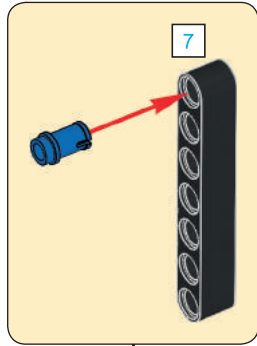


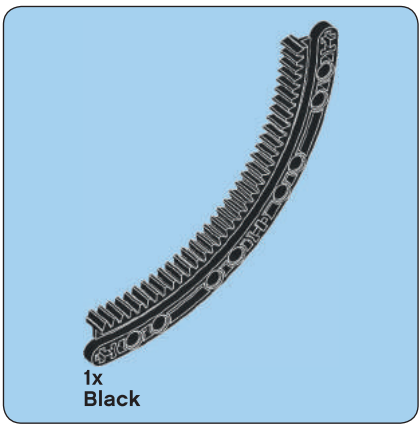
27



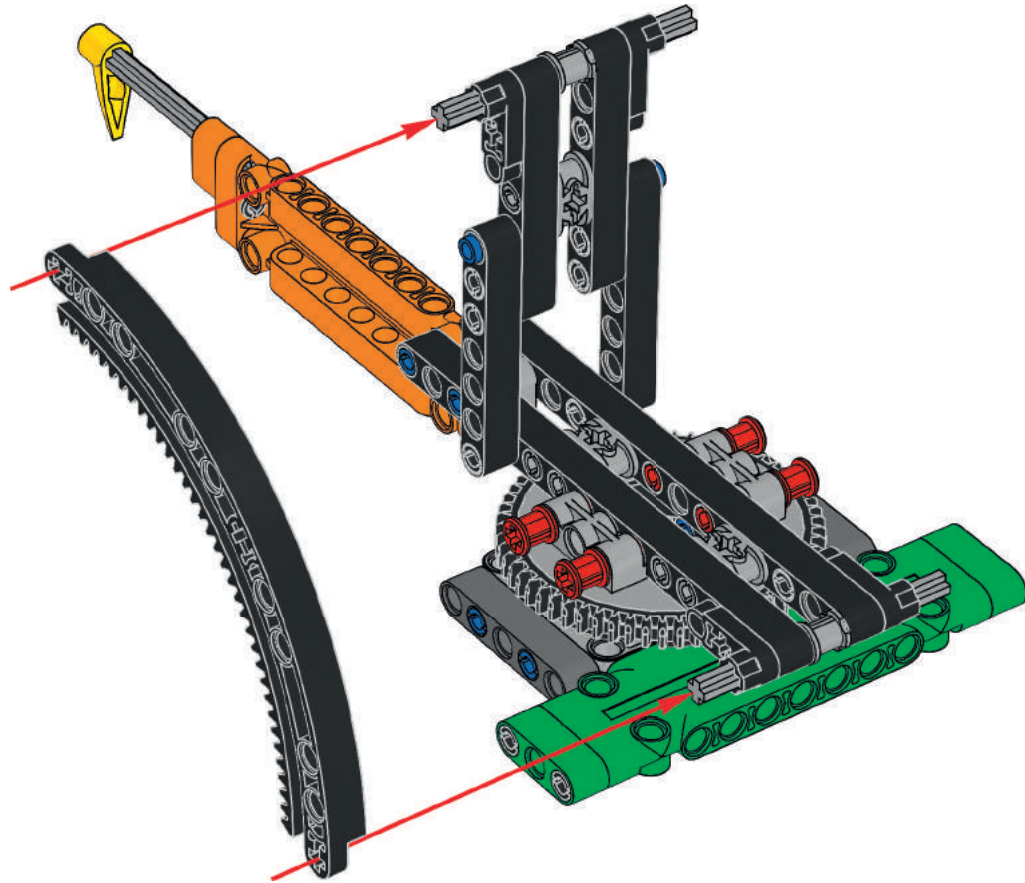


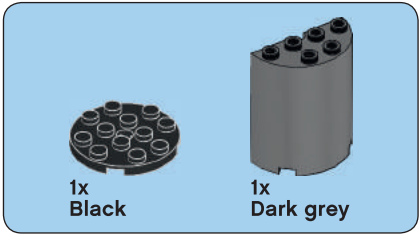
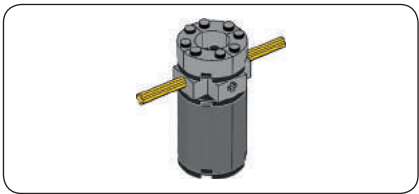
28



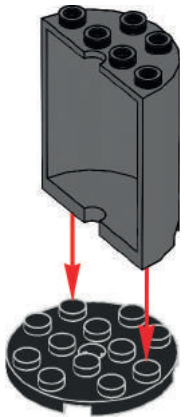


29





30



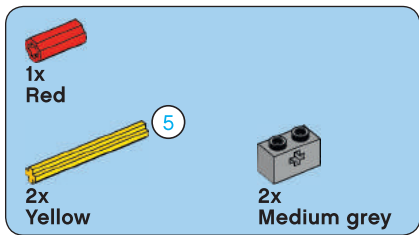


31

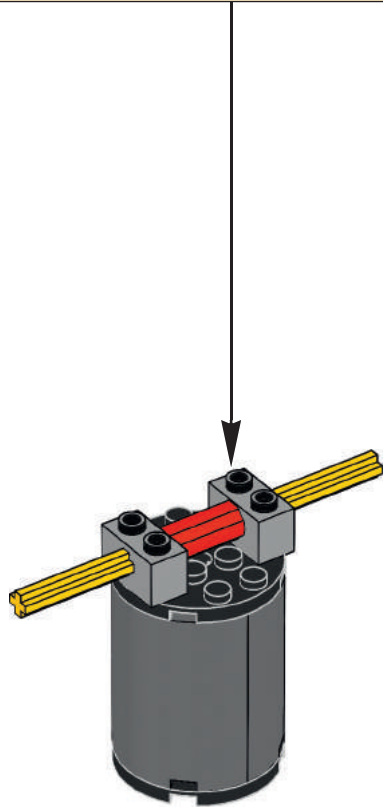
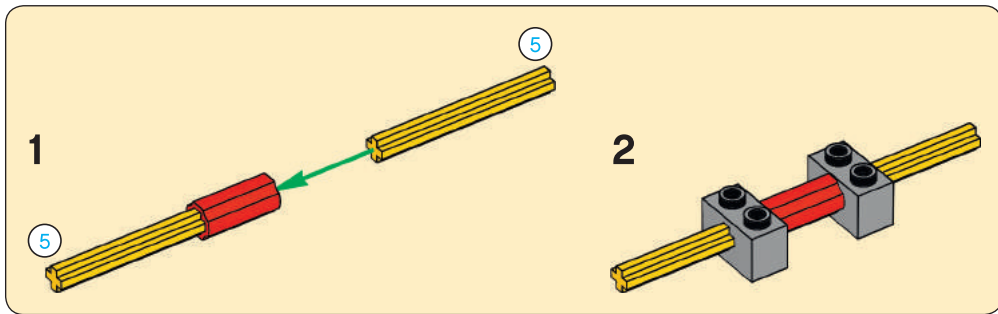


32





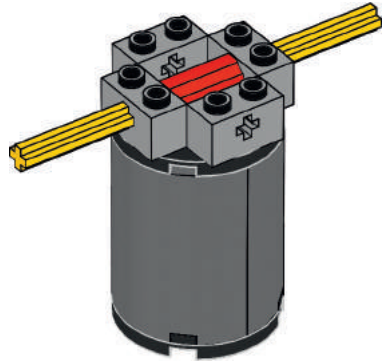
33





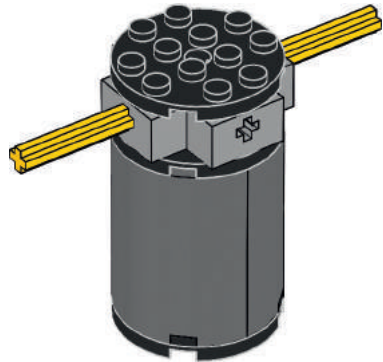
2x
Medium grey

34



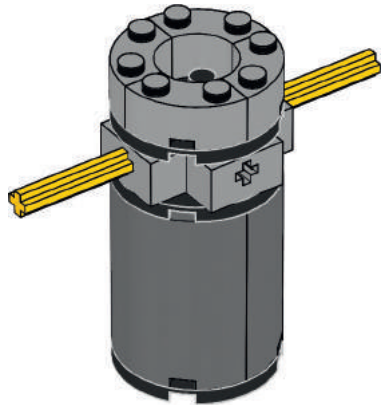
1x
Black

35

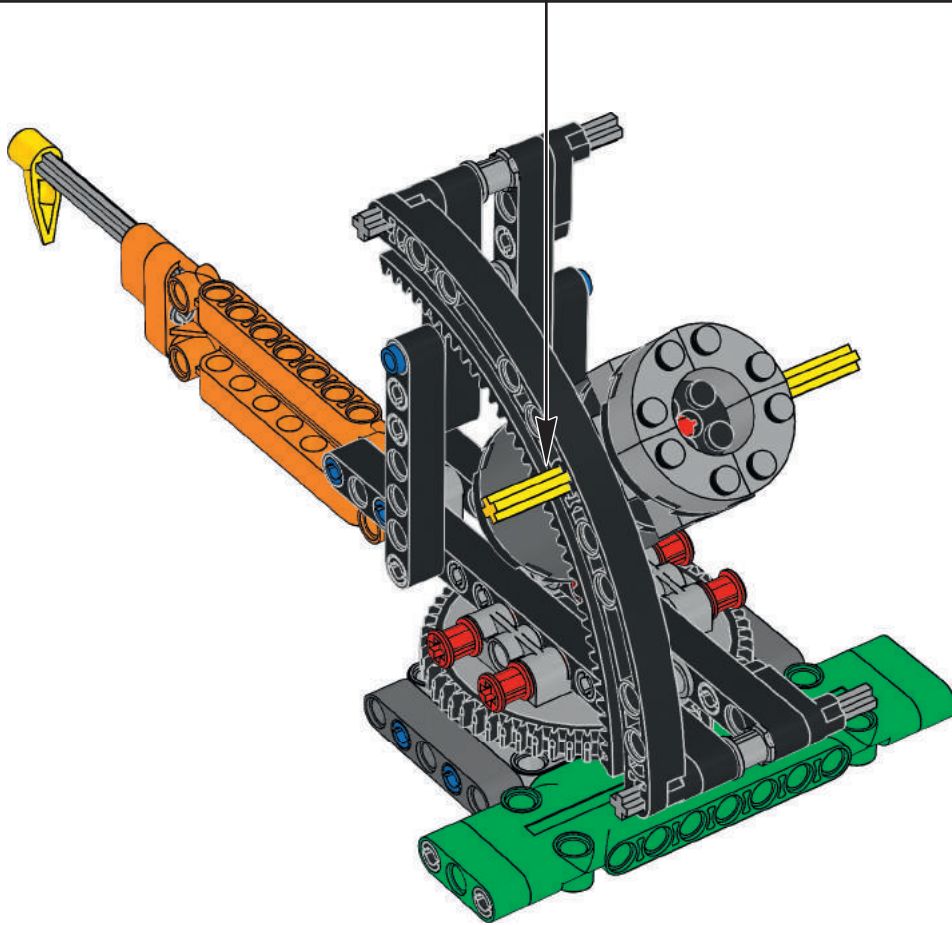


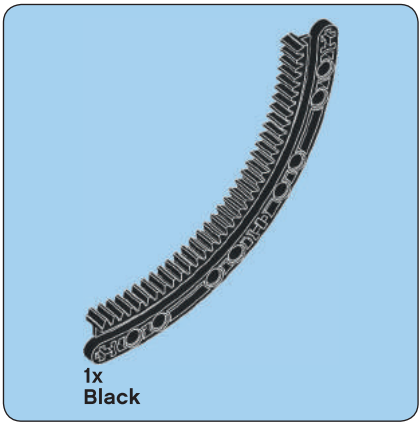
4x
Medium grey

36

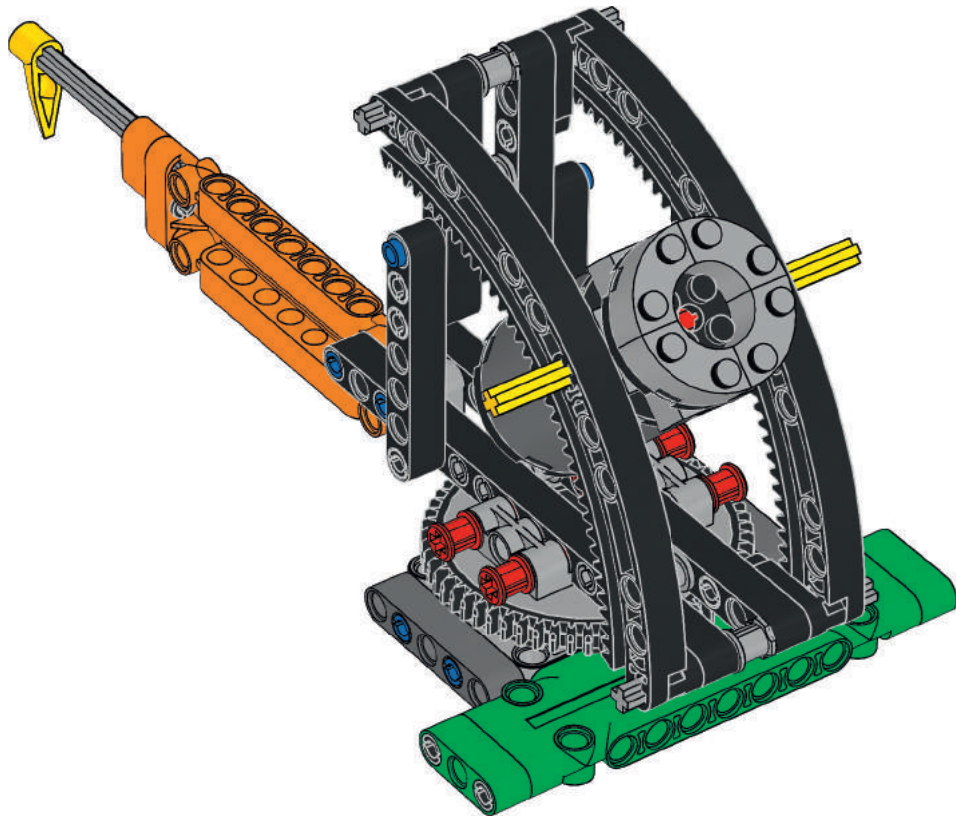


37





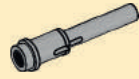
38



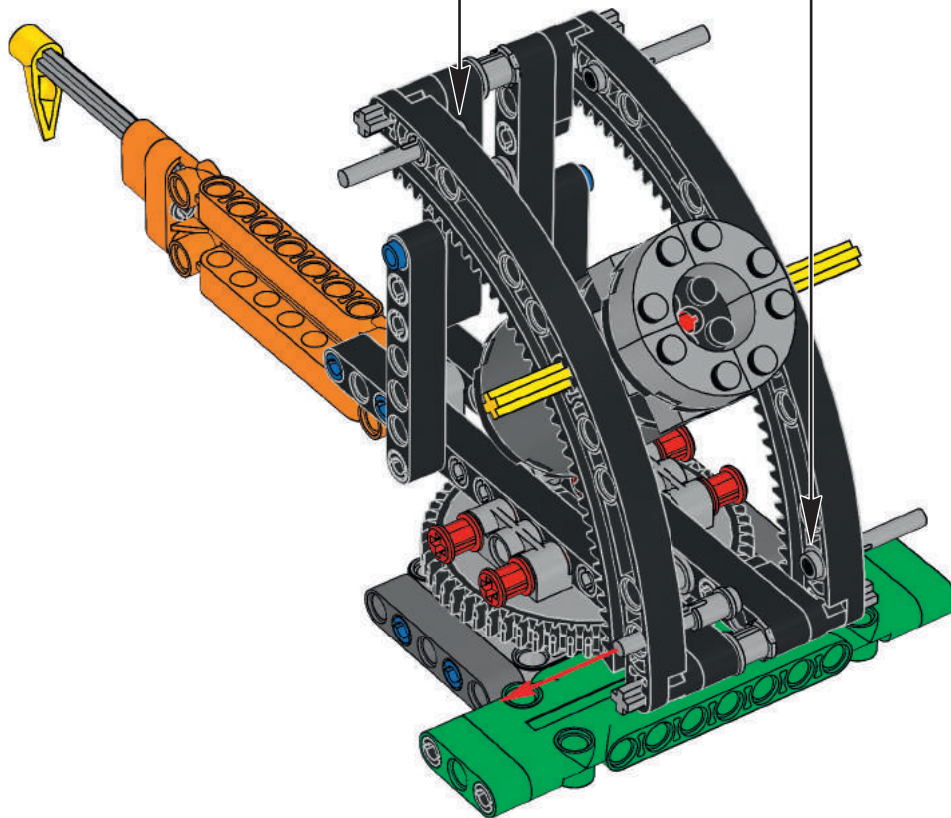


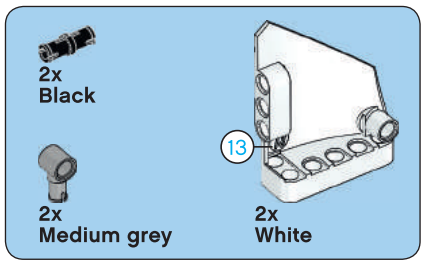
4x
Medium grey

39

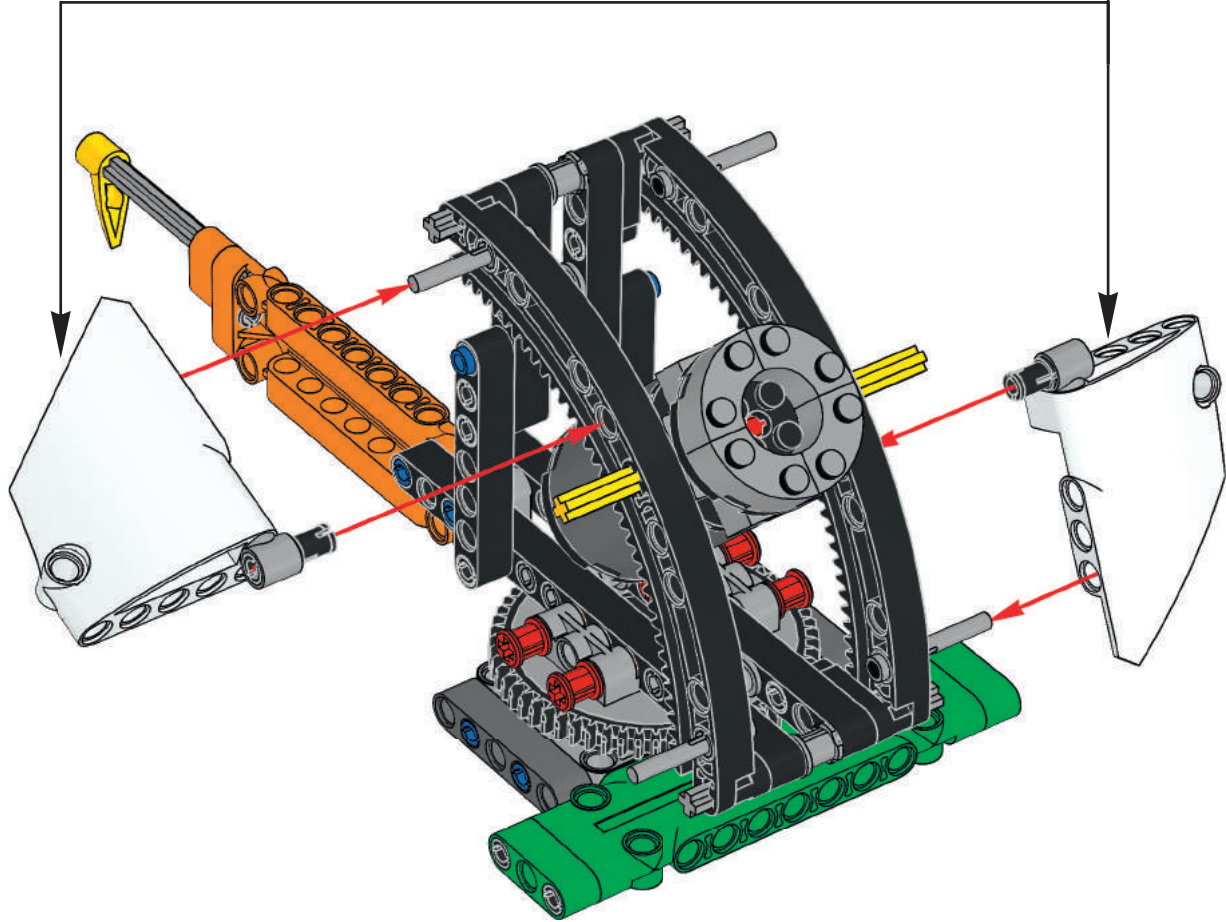
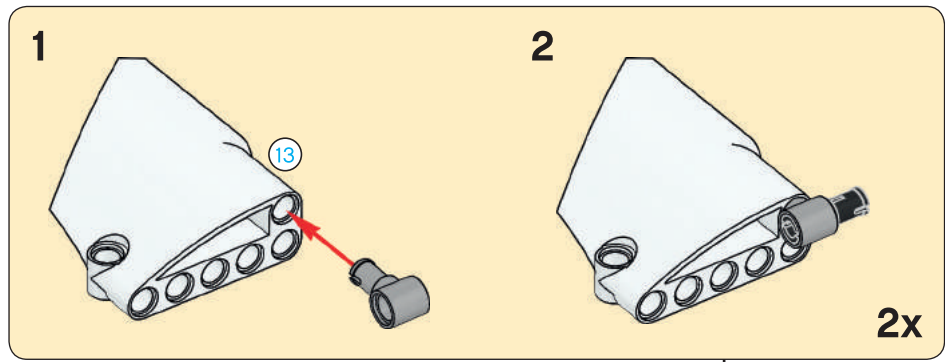


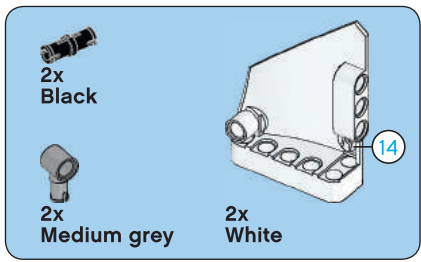
4x



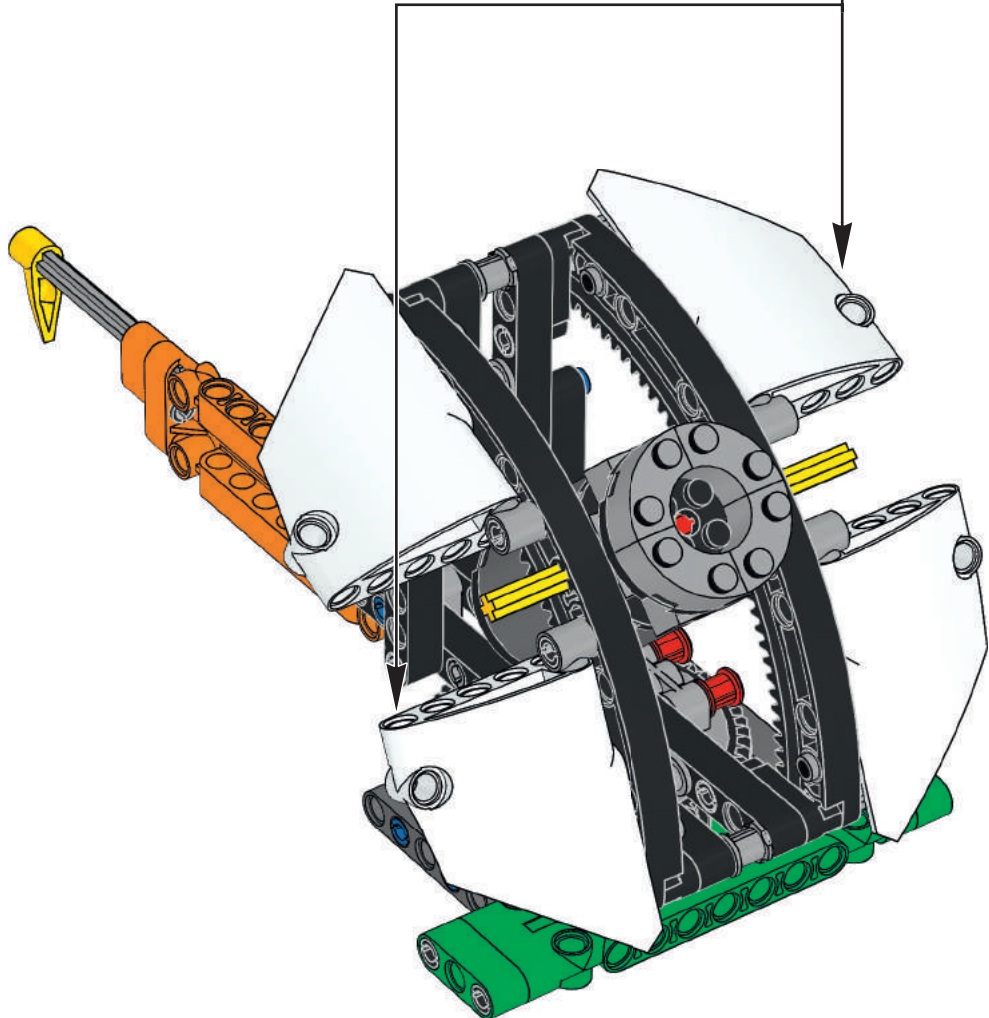
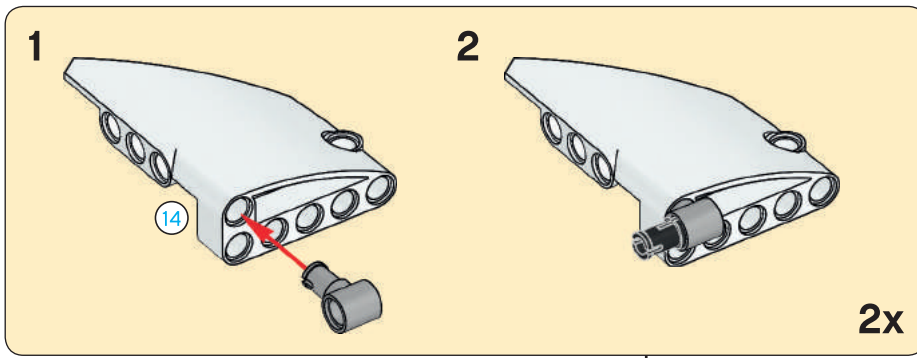


40





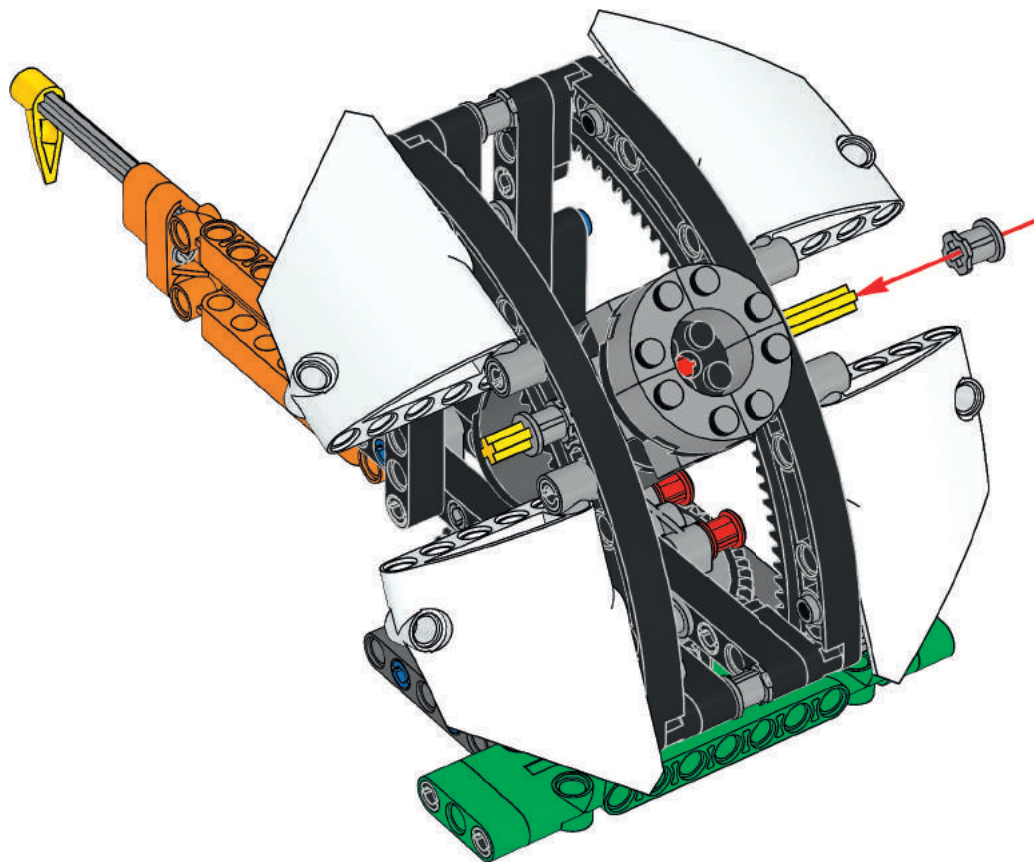
41





2x
Medium grey

42



4x
White

4x
White

2x
Medium grey

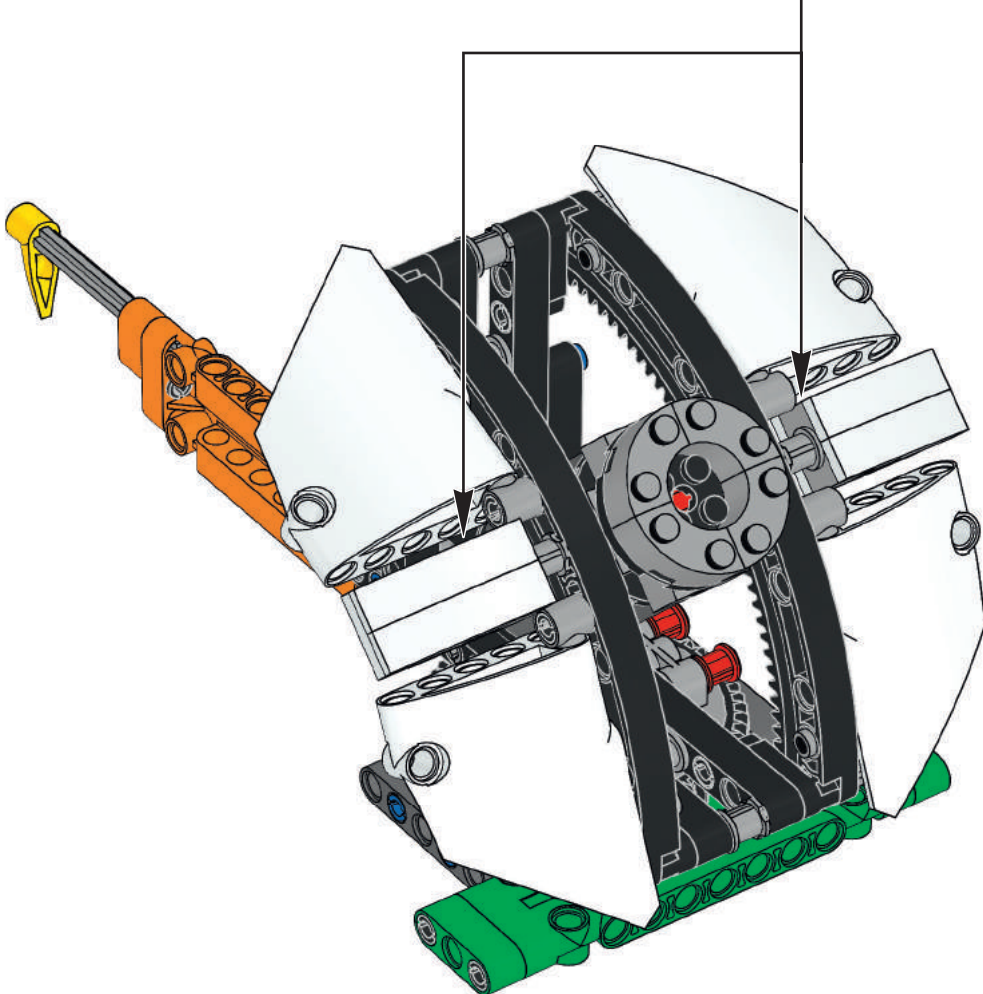
43

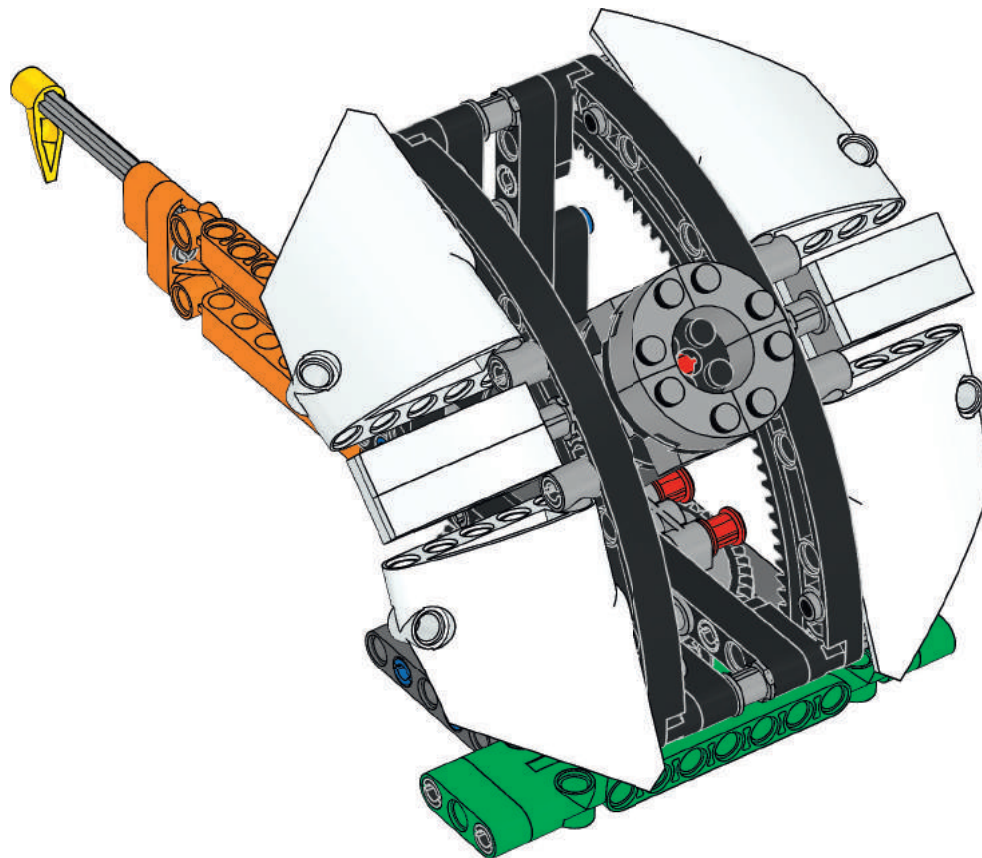
1

2

3

2x





BAG 9

LEGO and the LEGO logo are trademarks of the/son des marques de commerce du/son marcas registradas de LEGO Group. ©2018 The LEGO Group.

FIRST® is a registered trademark of For Inspiration and Recognition of Science and Technology (FIRST). LEGO® is a registered trademark of the LEGO Group. FIRST® LEGO® League and INTO ORBIT™ are jointly held trademarks of FIRST® and the LEGO Group.

©2018 FIRST® and the LEGO Group. All rights reserved.