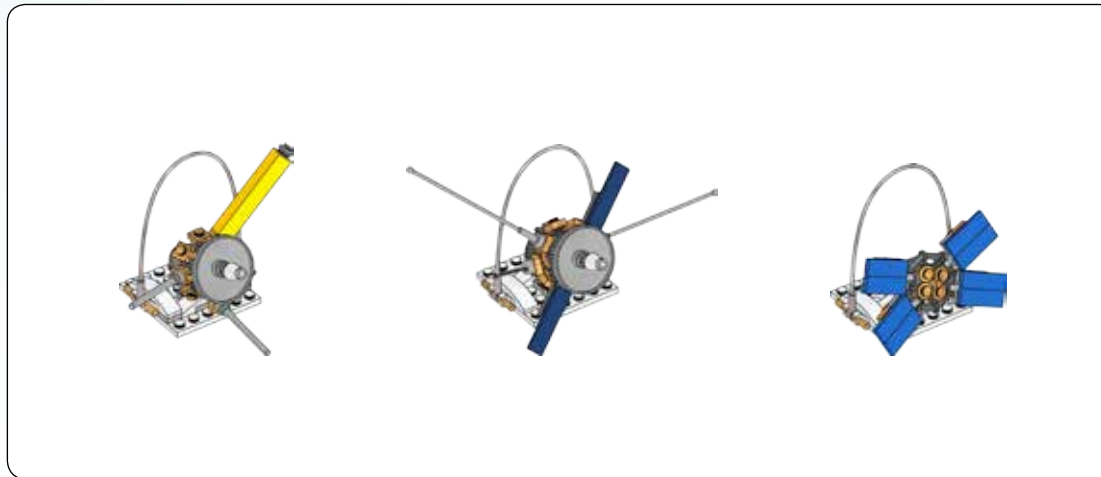
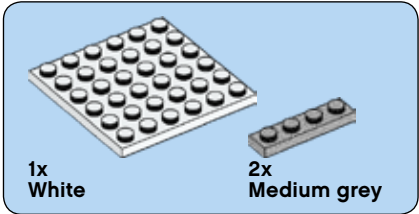
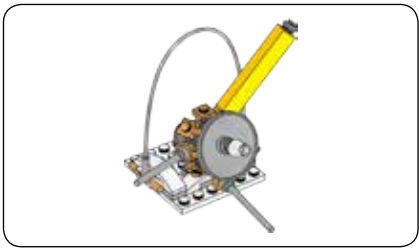


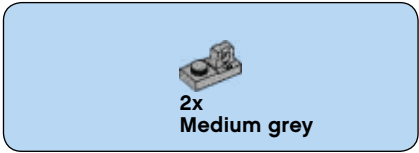
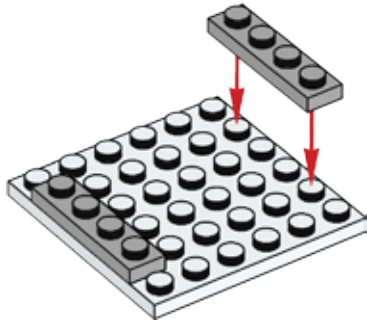


+ 1x

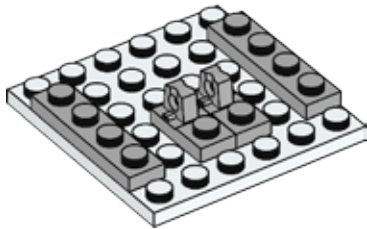




1



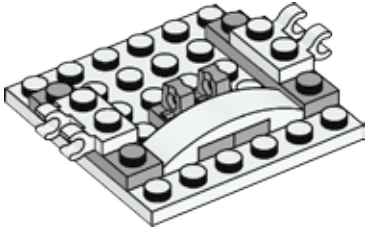
2



2x
White

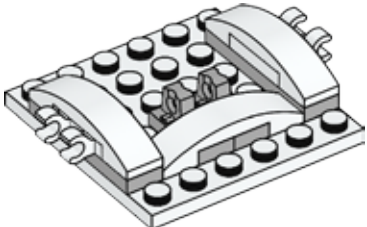
1x
White

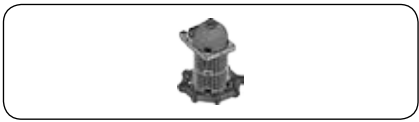
3



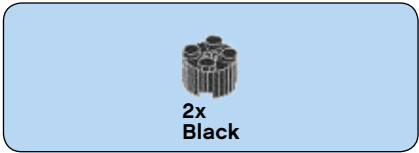
2x
White

4

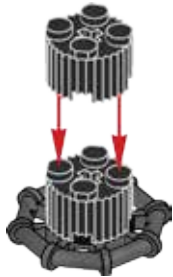




5



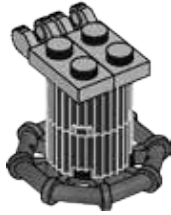
6





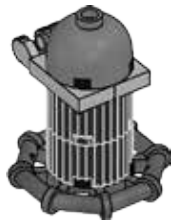
2x
Medium grey

7

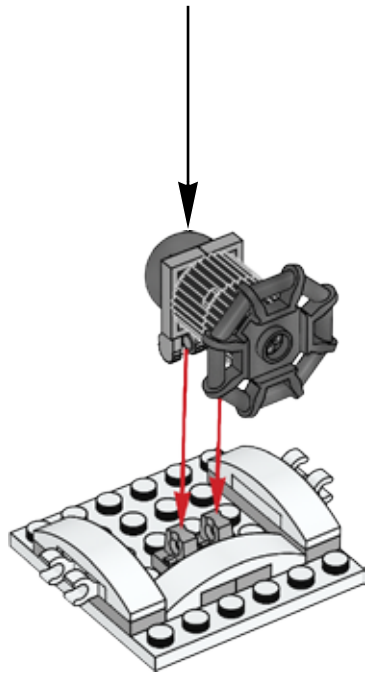


1x
Dark grey

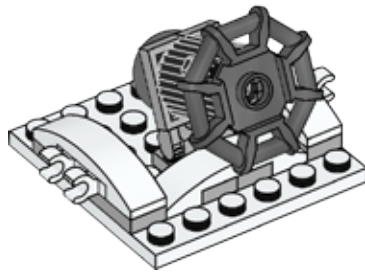
8



9

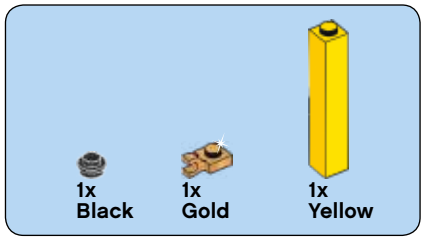
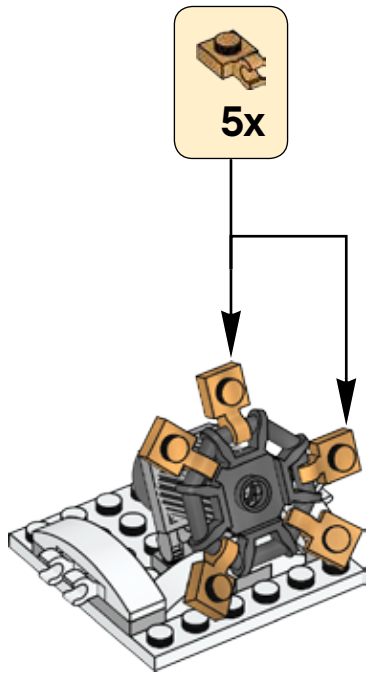


10

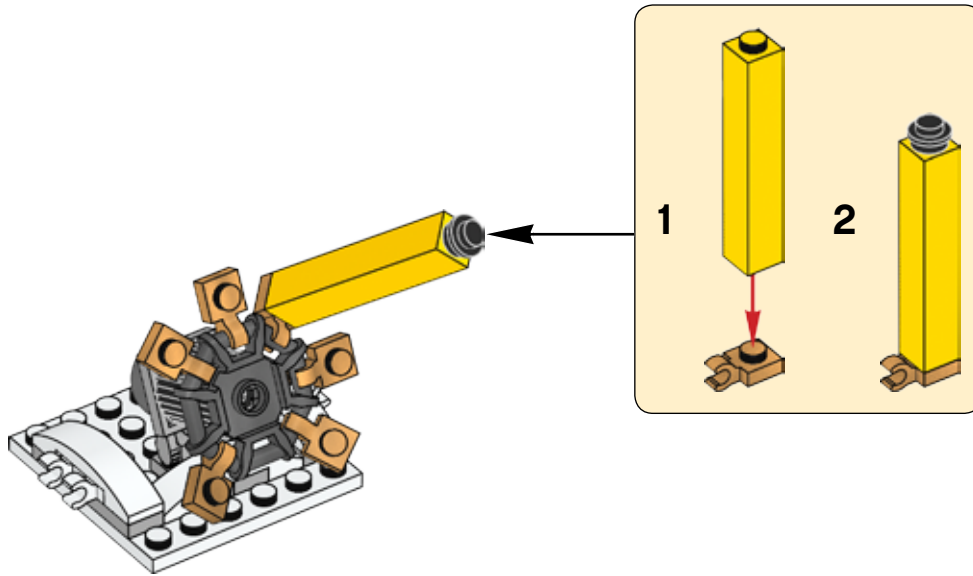


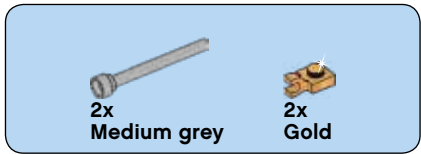


11

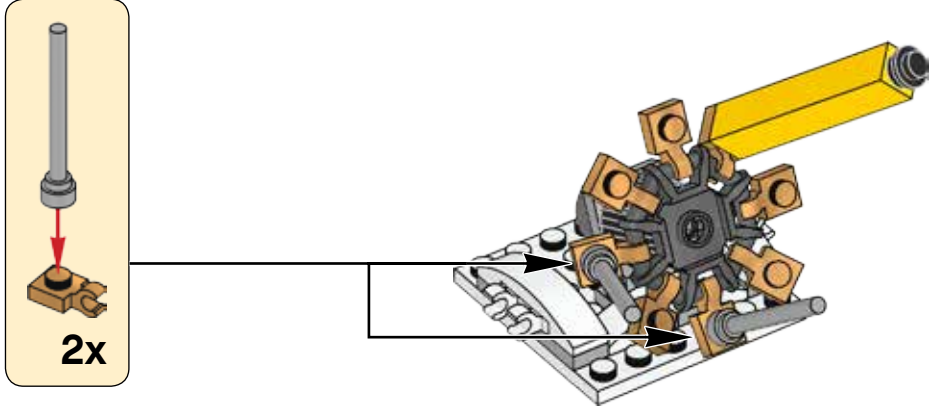


12

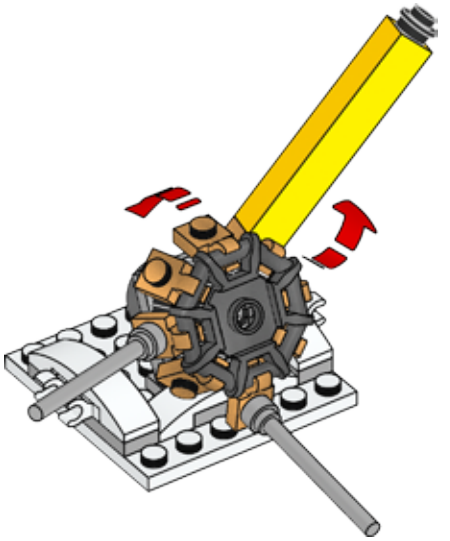




13

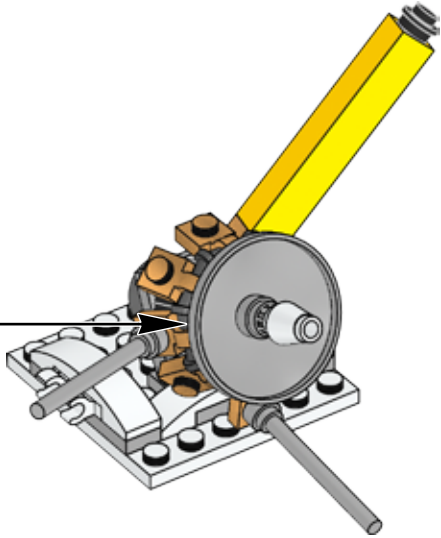
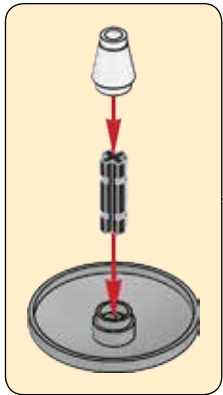


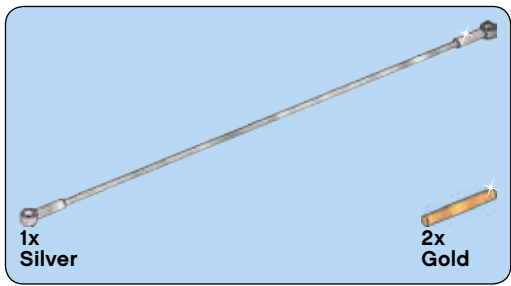
14



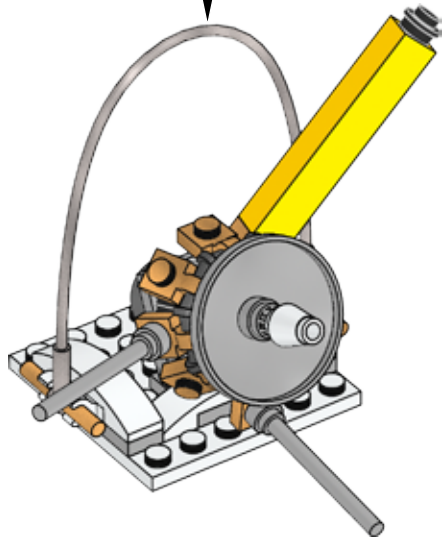
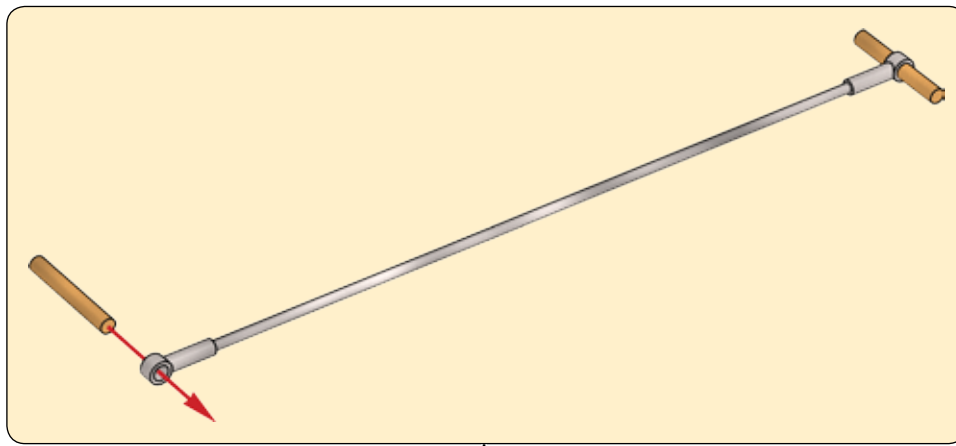


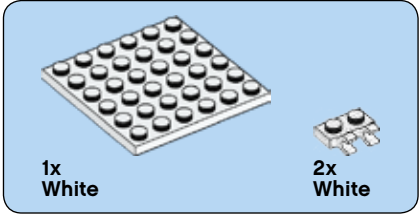
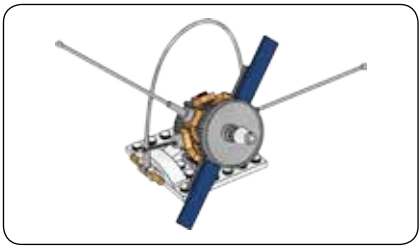
15



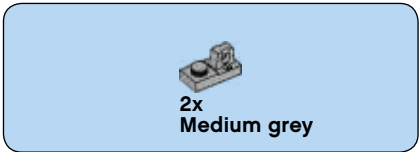
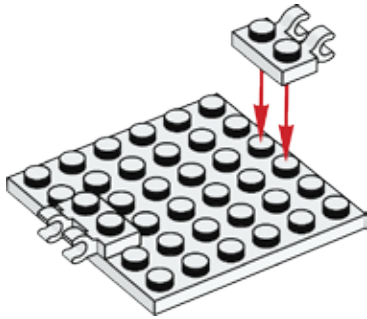


16

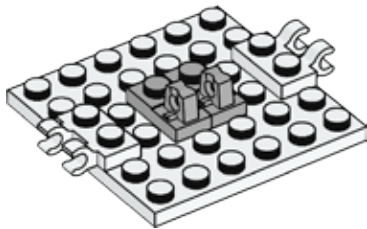




1



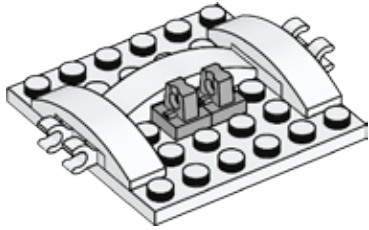
2

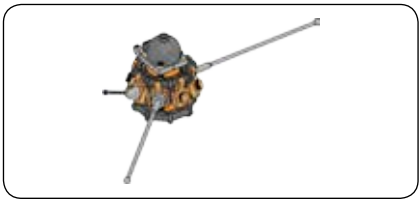




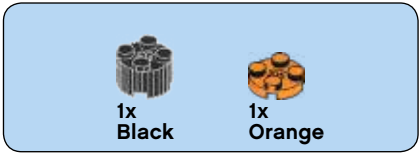
3x
White

3

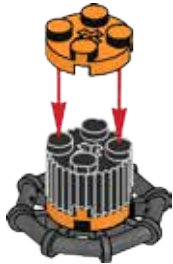




4



5





1x
Orange



1x
Titanium metallic

6



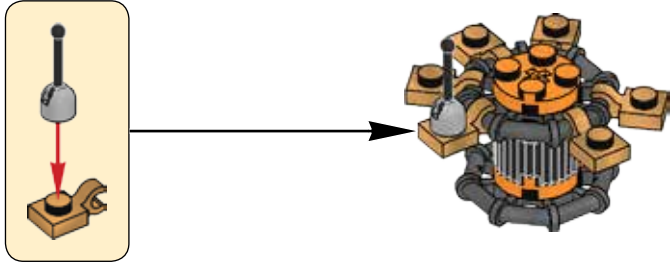
5x
Gold

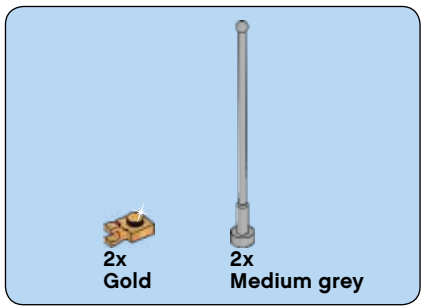
7



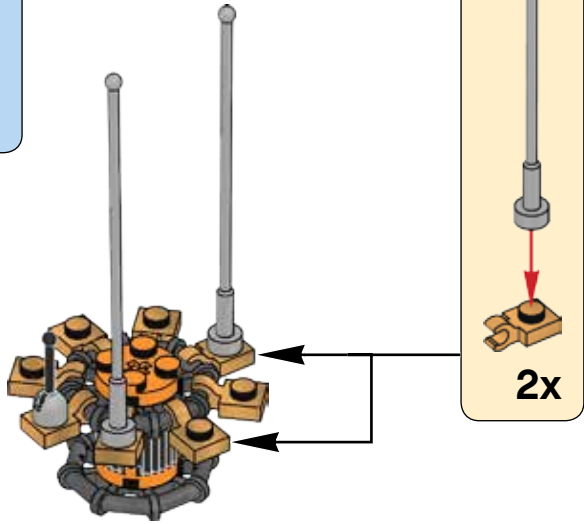
1x Black
1x Gold

8



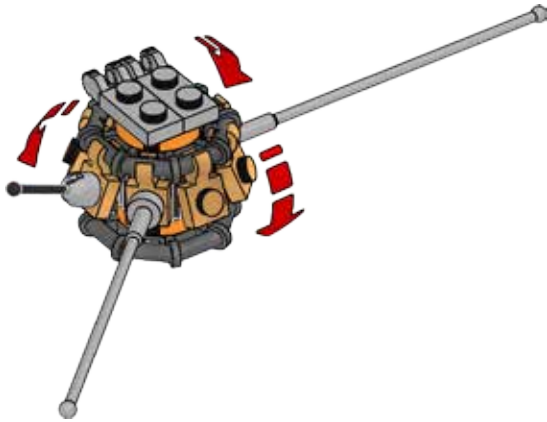


9



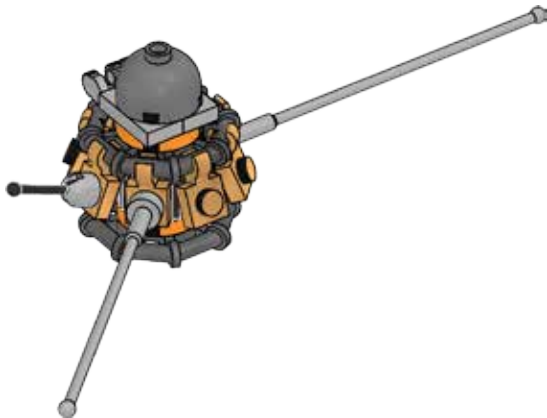
2x
Medium grey

10

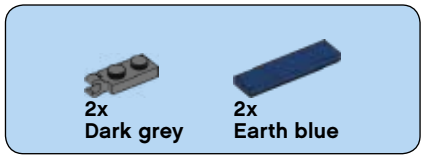
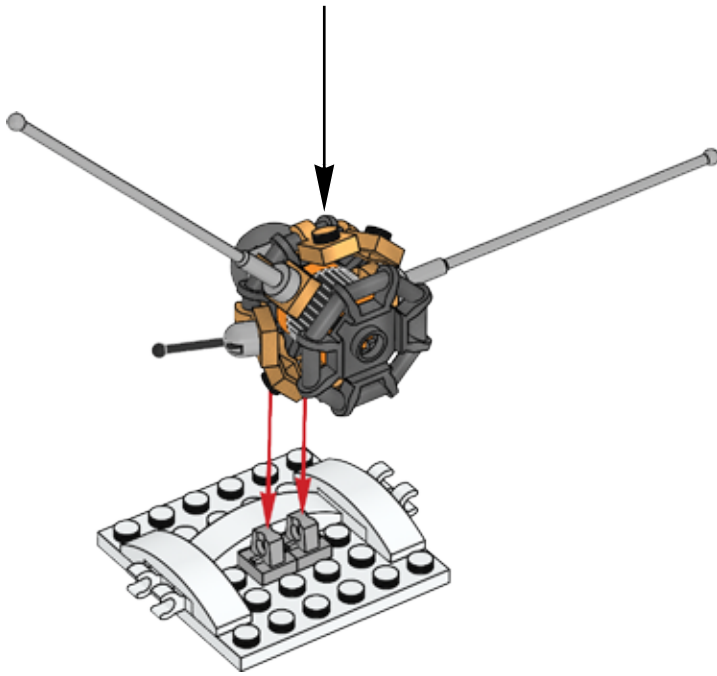


1x
Dark grey

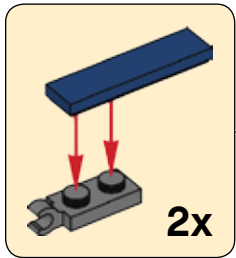
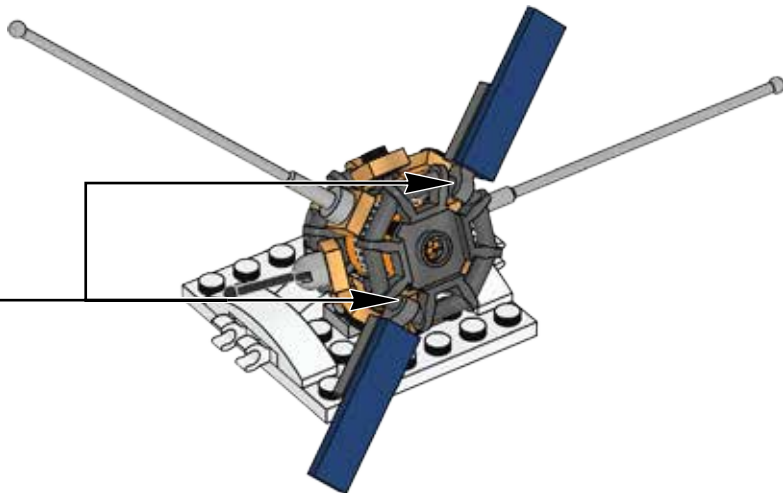
11



12

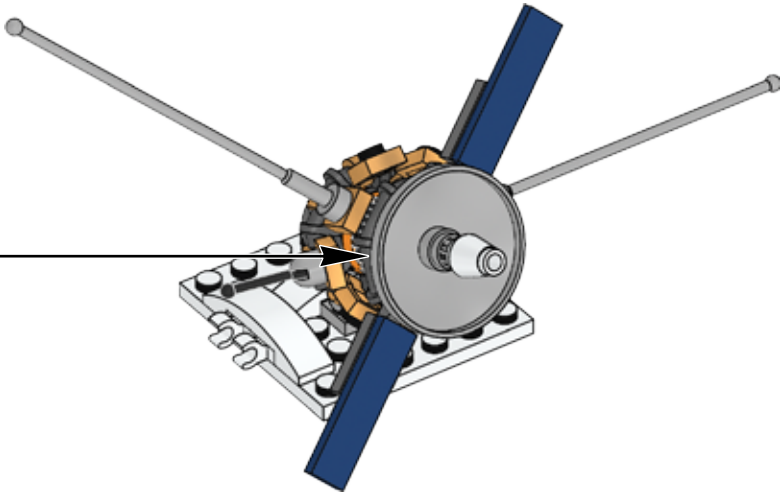
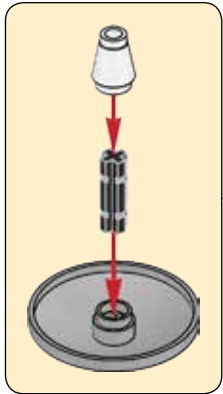


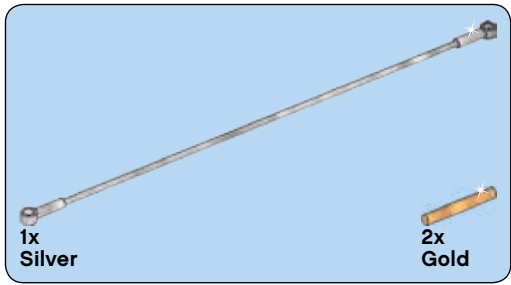
13



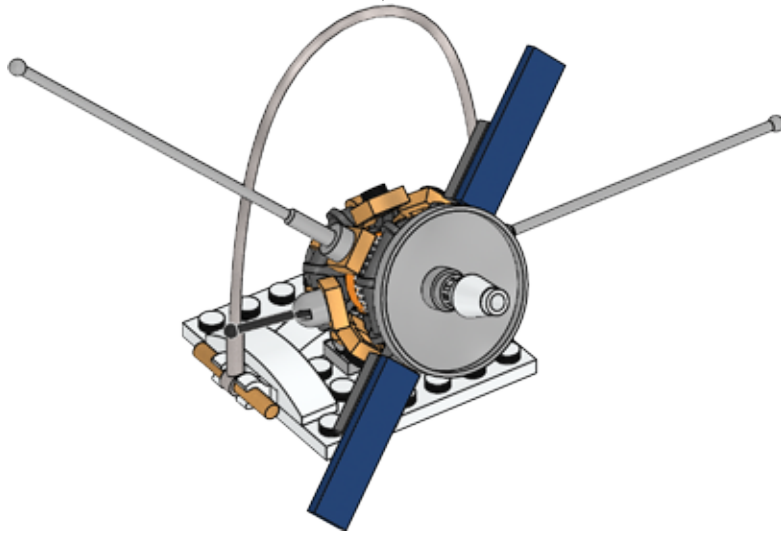
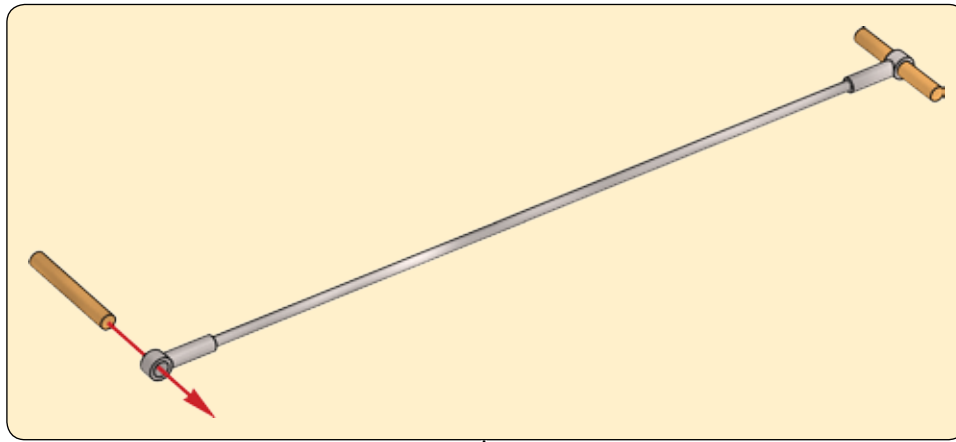


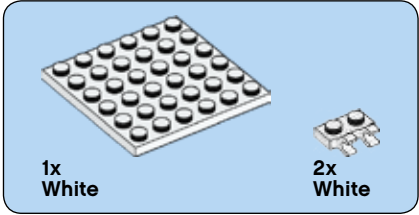
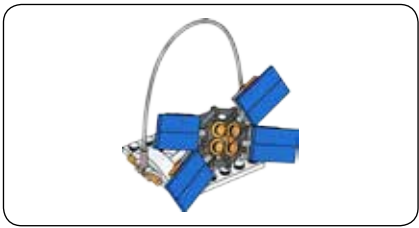
14



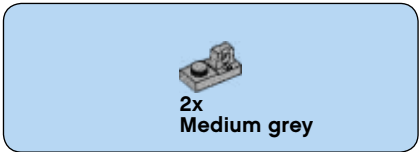
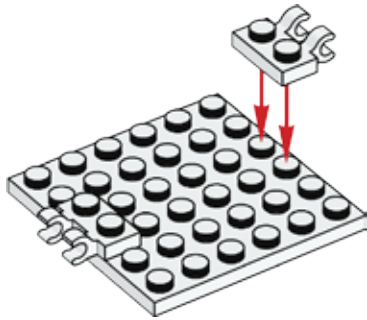


15

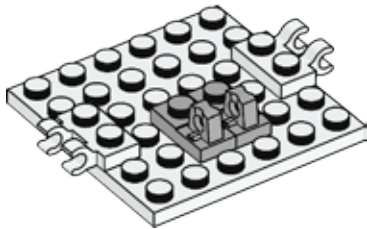




1



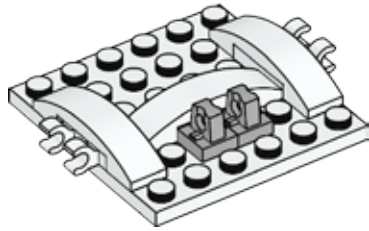
2





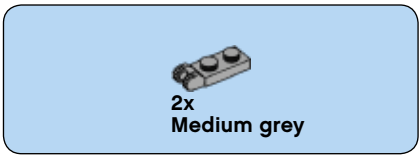
3x
White

3

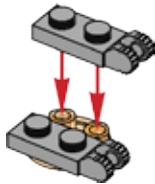




4



5



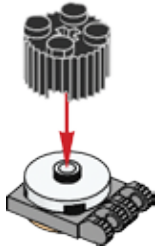


1x
Black



1x
White

6



1x
Titanium metallic

7





4x
Gold

8

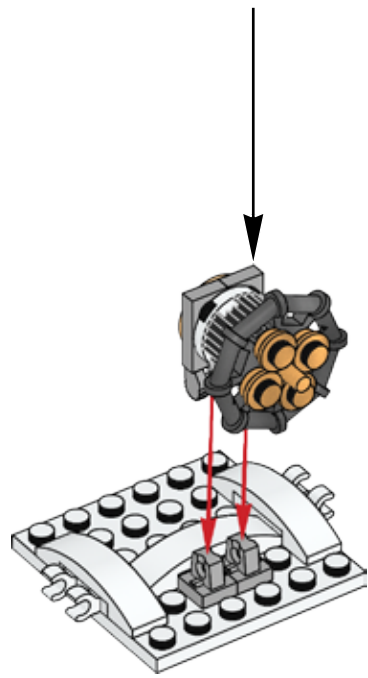






1x
Gold

9






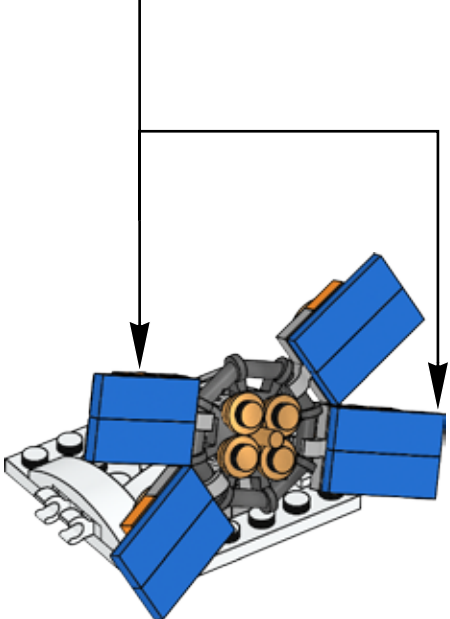
10

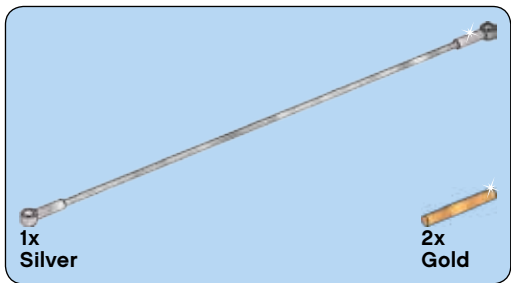


 4x Orange	 4x Transp. orange
 8x Blue	 4x Medium grey

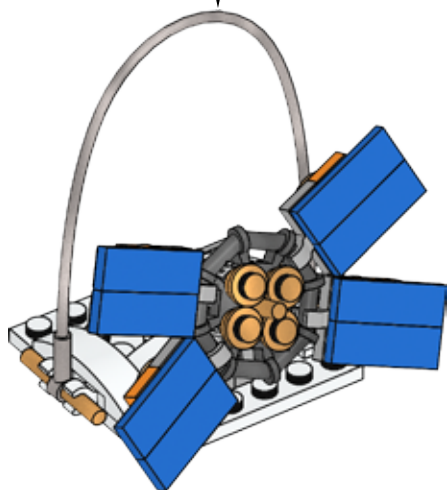
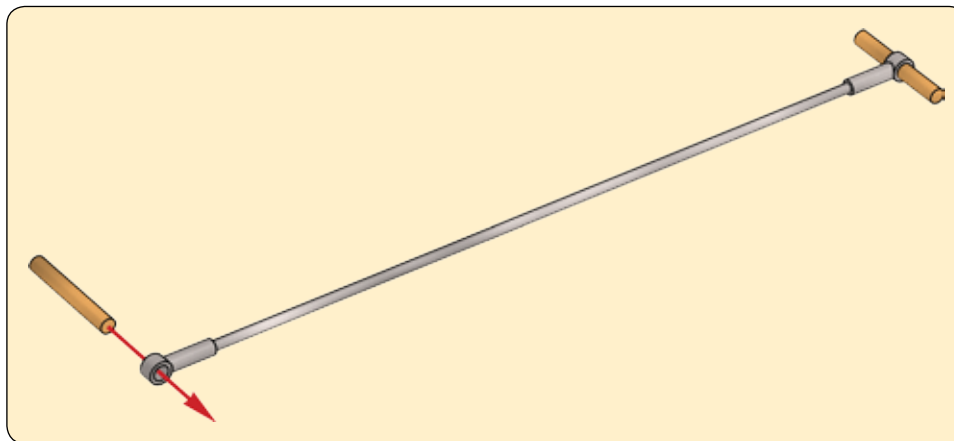
11

1  2  3  4x





12



BAG 10

LEGO and the LEGO logo are trademarks of the/sont des marques de commerce du/son marcas registradas de LEGO Group. ©2018 The LEGO Group.

FIRST® is a registered trademark of For Inspiration and Recognition of Science and Technology (FIRST). LEGO® is a registered trademark of the LEGO Group. FIRST® LEGO® League and INTO ORBIT™ are jointly held trademarks of FIRST® and the LEGO Group.

©2018 FIRST® and the LEGO Group. All rights reserved.